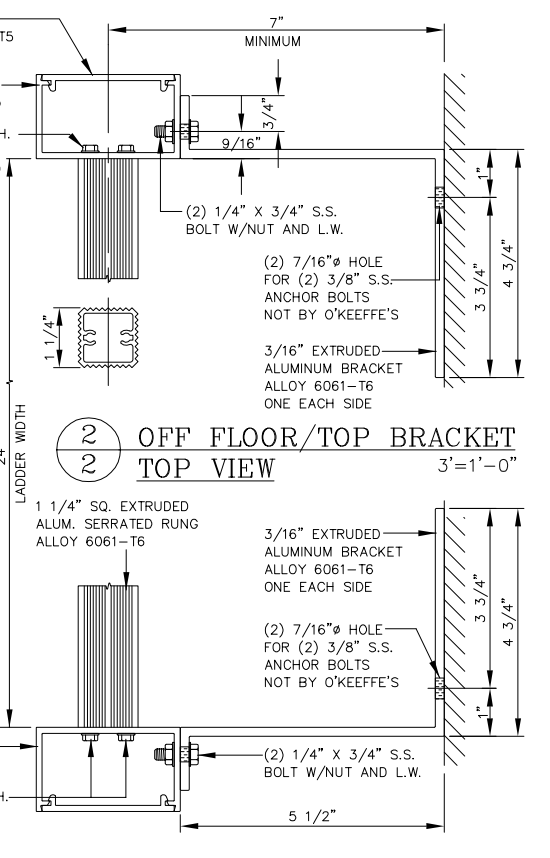
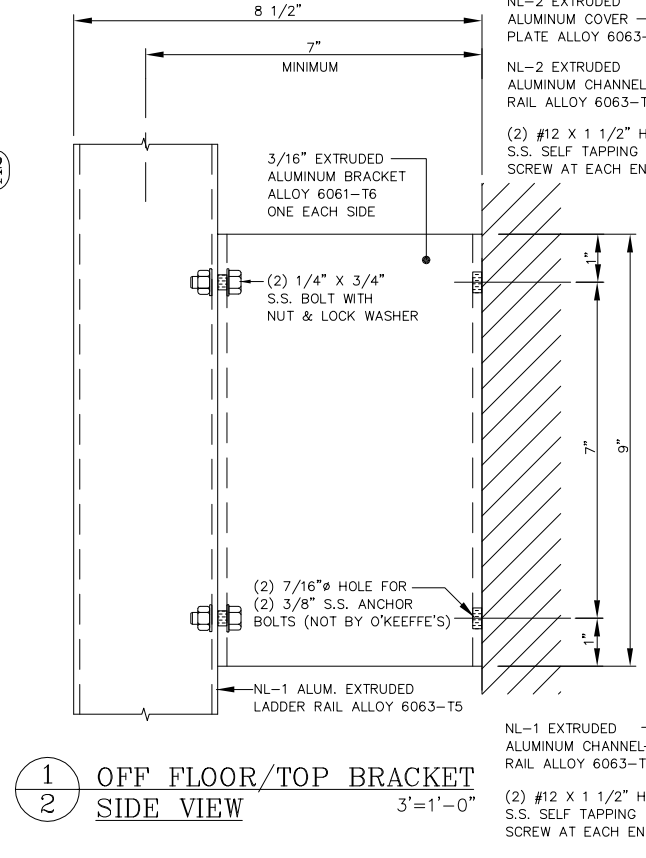


CONTRACTOR TO VERIFY:

(A1) _____ OVERALL LADDER HEIGHT
 (A2) _____ F.F. TO TOP OF PARAPET
 (B) _____ ROOF TO TOP OF PARAPET
 (C) _____ PARAPET WIDTH
 (D1) _____ WALL TO ϕ OF LADDER
 (D2) _____ WALL TO ϕ OF LADDER
 (E) _____ LADDER WIDTH

APPROVED BY: _____
 DATE: _____



O'KEEFFE'S, INC.
 100 N. HILL DR. SUITE 12 TEL: (415) 824-4900
 BRISBANE, CA 94005-1010 FAX: (415) 824-5900

HEAVY DUTY TUBULAR RAIL ALUMINUM CAGE LADDER
HIGH PARAPET ACCESS WITH PLATFORM & RETURN MODEL 533

_____ QUANTITY	<input type="checkbox"/> ALTERNATE BOTTOM SUPPORT
<input type="checkbox"/> SECURITY DOOR	<input type="checkbox"/> MILL FINISH <input type="checkbox"/> BRONZE ANODIZED
<input type="checkbox"/> INTERMEDIATE BRACKET	<input type="checkbox"/> POWDER COATING <input type="checkbox"/> CLEAR ANODIZED

SALE NO. _____

DRAWN : _____

DATE : _____

SHEET : _____ **OF** _____