

**CONTRACTOR TO VERIFY:**

(A) \_\_\_\_\_ OVERALL LADDER HEIGHT

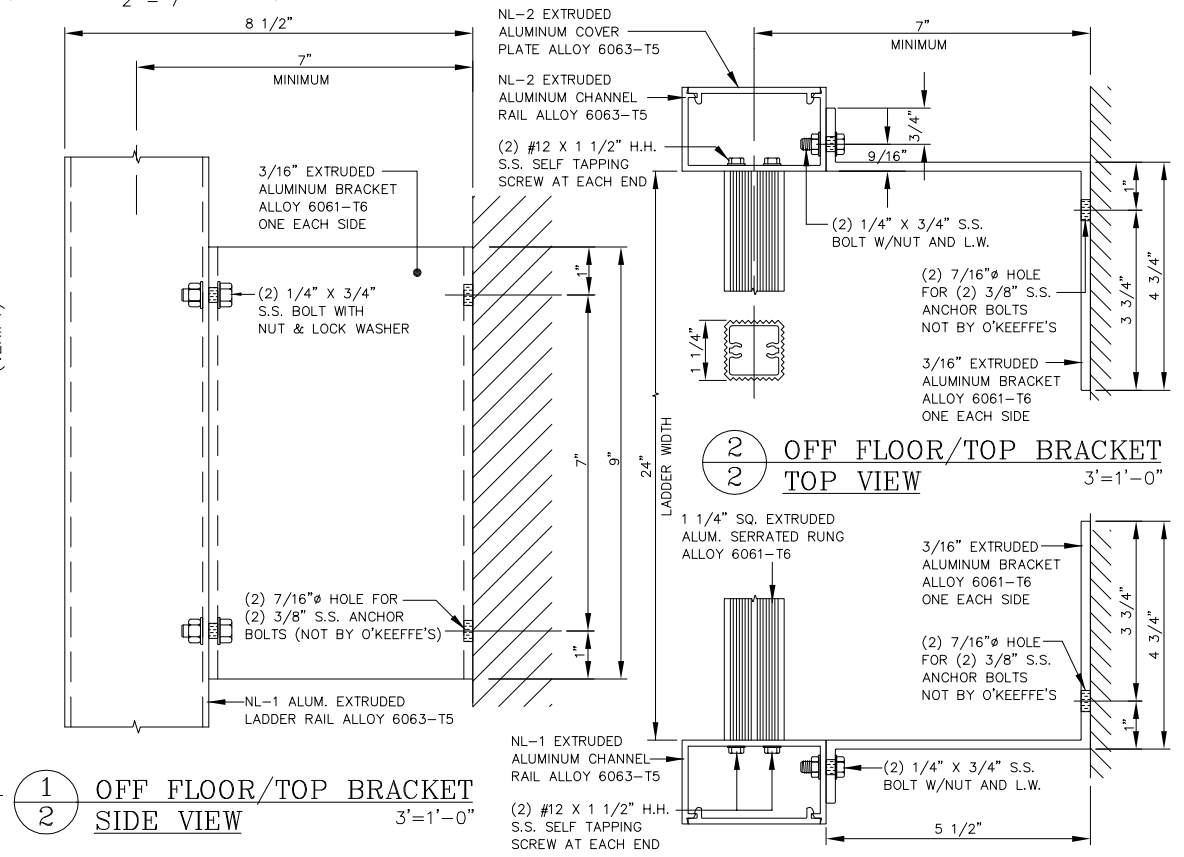
(B) \_\_\_\_\_ F.F. TO TOP OF PARAPET

(C) \_\_\_\_\_ LADDER WIDTH

(D) \_\_\_\_\_ WALL TO  $\text{C}$  OF LADDER

APPROVED BY: \_\_\_\_\_

DATE \_\_\_\_\_



**O'KEEFFE'S, INC.**

100 N. HILL DR. SUITE 12 TEL: (415) 824-4900  
BRISBANE, CA 94005-1010 FAX: (415) 824-5900

**HEAVY DUTY TUBULAR RAIL ALUMINUM CAGE LADDER  
LOW PARAPET ACCESS W/ROOF OVER RAIL EXTENSIONS MODEL 532**

- |   |   |
|---|---|
| _____ QUANTITY                                | <input type="checkbox"/> ALTERNATE BOTTOM SUPPORT                               |
| <input type="checkbox"/> SECURITY DOOR        | <input type="checkbox"/> MILL FINISH <input type="checkbox"/> BRONZE ANODIZED   |
| <input type="checkbox"/> INTERMEDIATE BRACKET | <input type="checkbox"/> POWDER COATING <input type="checkbox"/> CLEAR ANODIZED |

**SALE NO.**

DRAWN :

DATE :

SHEET : \_\_\_\_\_ OF \_\_\_\_\_