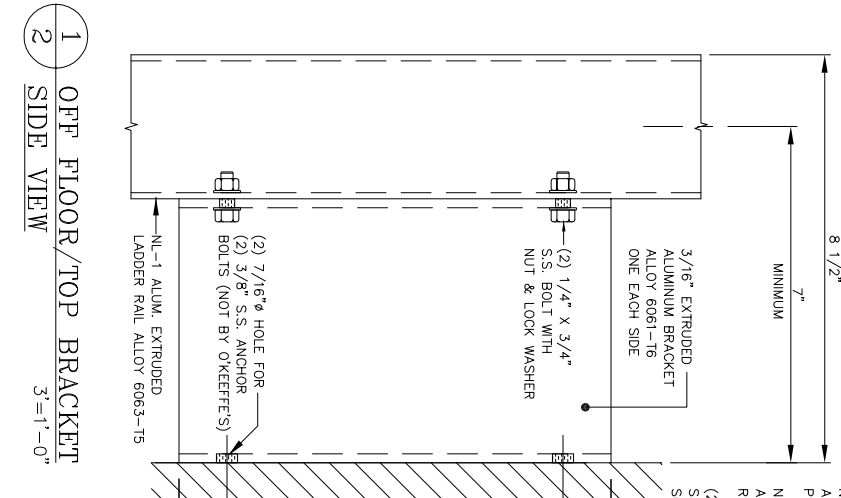
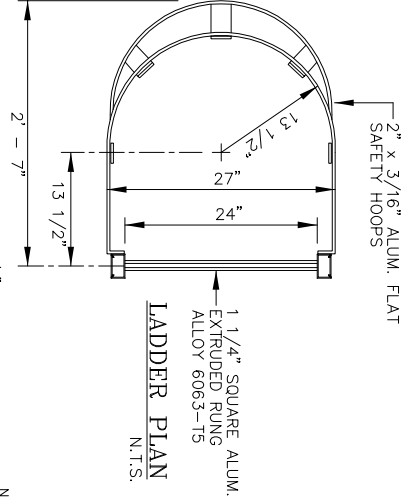
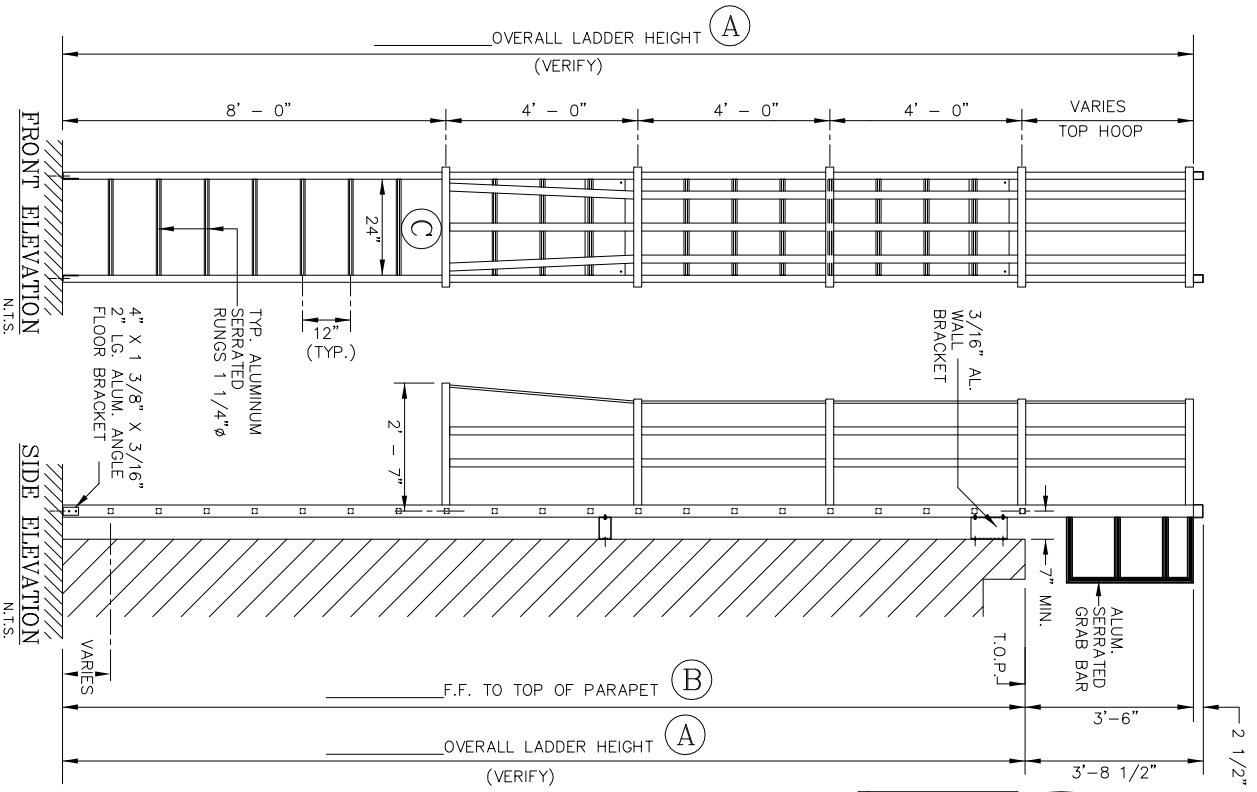




**O'KEEFE'S, INC.**  
 100 N. HILL DR. SUITE 12 TEL: (415) 824-4900  
 BRISBANE, CA 94005-1010 FAX: (415) 824-5900

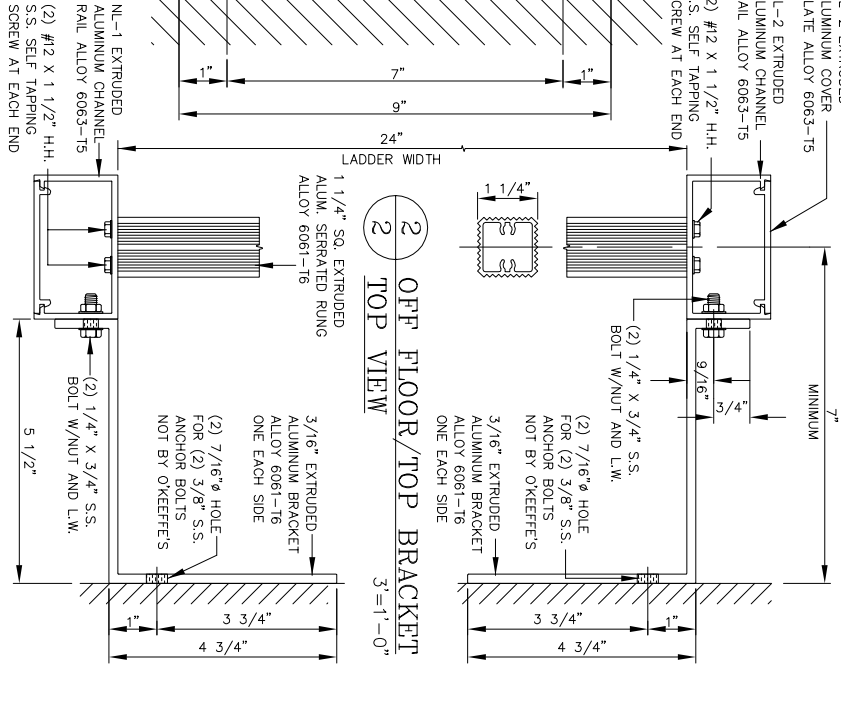


**CONTRACTOR TO VERIFY.**

(A) \_\_\_\_\_ OVERALL LADDER HEIGHT  
 (B) \_\_\_\_\_ F.F. TO TOP OF PARAPET  
 (C) \_\_\_\_\_ LADDER WIDTH  
 (D) \_\_\_\_\_ WALL TO C. OF LADDER

APPROVED BY: \_\_\_\_\_  
 DATE: \_\_\_\_\_

**PLEASE SIGN**



**HEAVY DUTY TUBULAR RAIL ALUMINUM CAGE LADDER**  
 LOW PARAPET ACCESS W/ROOF OVER RAIL EXTENSIONS MODEL 532

- QUANTITY \_\_\_\_\_
- SECURITY DOOR  ALTERNATE BOTTOM SUPPORT
- INTERMEDIATE BRACKET  MILL FINISH  BRONZE ANODIZED
- POWDER COATING  CLEAR ANODIZED

**SALE NO.**  
 DRAWN: \_\_\_\_\_

DATE: \_\_\_\_\_  
 SHEET: \_\_\_\_\_ OF \_\_\_\_\_