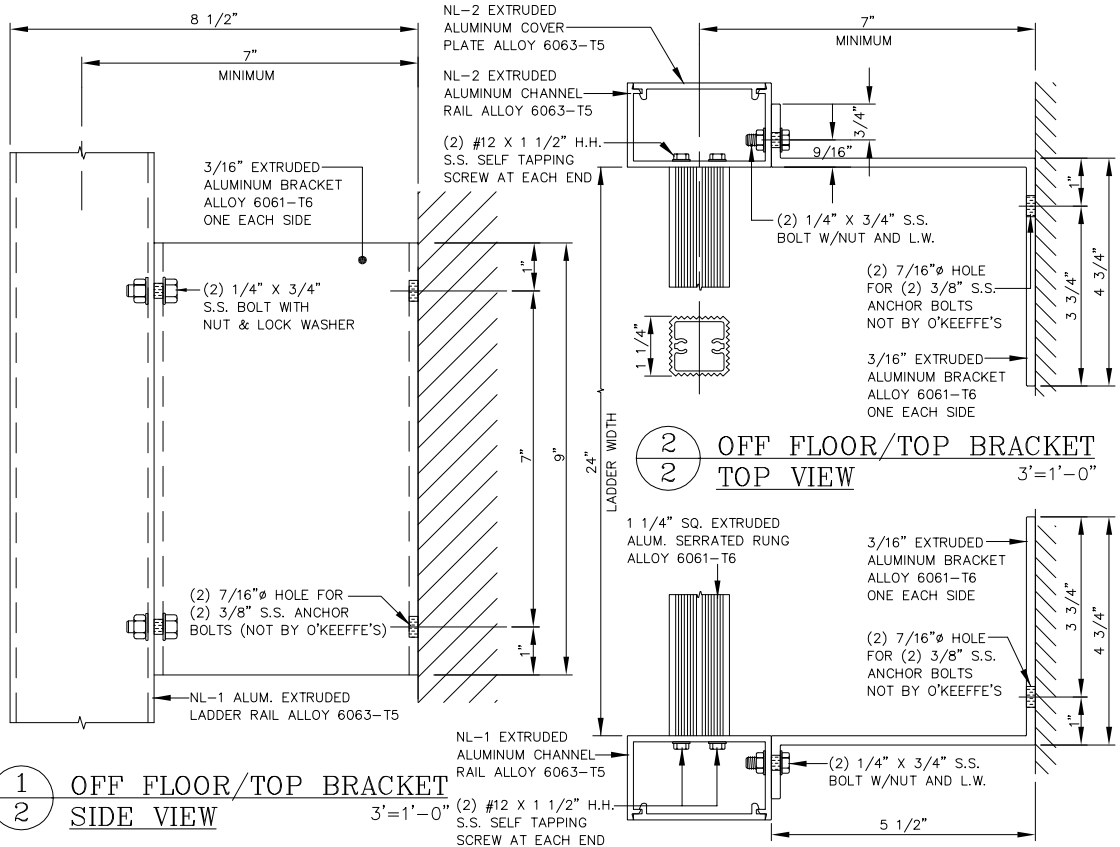


**CONTRACTOR TO VERIFY:**

(A) \_\_\_\_\_ OVERALL LADDER HEIGHT  
 (B) \_\_\_\_\_ F.F. TO TOP OF DECKING  
 (C) \_\_\_\_\_ ROOF HATCH BASE HEIGHT  
 (D) \_\_\_\_\_ WALL TO  $\phi$  OF LADDER  
 (E) \_\_\_\_\_ LADDER WIDTH

APPROVED BY: \_\_\_\_\_  
 DATE \_\_\_\_\_

PLEASE SIGN



**O'KEEFFE'S, INC.**  
 100 N. HILL DR. SUITE 12 TEL: (415) 824-4900  
 BRISBANE, CA 94005-1010 FAX: (415) 824-5900

**HEAVY DUTY TUBULAR RAIL  
 FIXED ACCESS ALUMINUM LADDER MODEL 501**

- |   |   |
|---|---|
| _____ QUANTITY                                | <input type="checkbox"/> ALTERNATE BOTTOM SUPPORT                               |
| <input type="checkbox"/> SECURITY DOOR        | <input type="checkbox"/> MILL FINISH <input type="checkbox"/> BRONZE ANODIZED   |
| <input type="checkbox"/> INTERMEDIATE BRACKET | <input type="checkbox"/> POWDER COATING <input type="checkbox"/> CLEAR ANODIZED |

**SALE NO.**

DRAWN :

DATE :

SHEET : \_\_\_\_\_ OF \_\_\_\_\_