

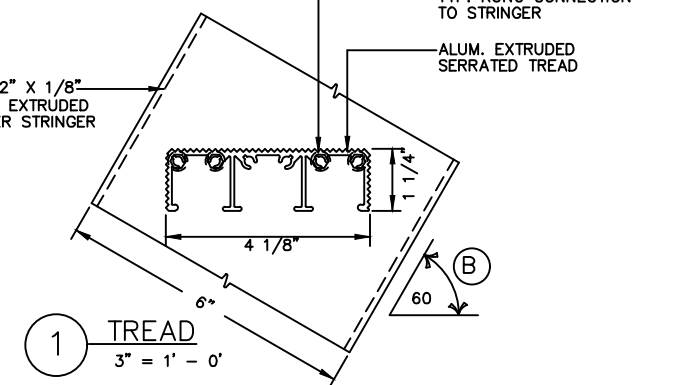
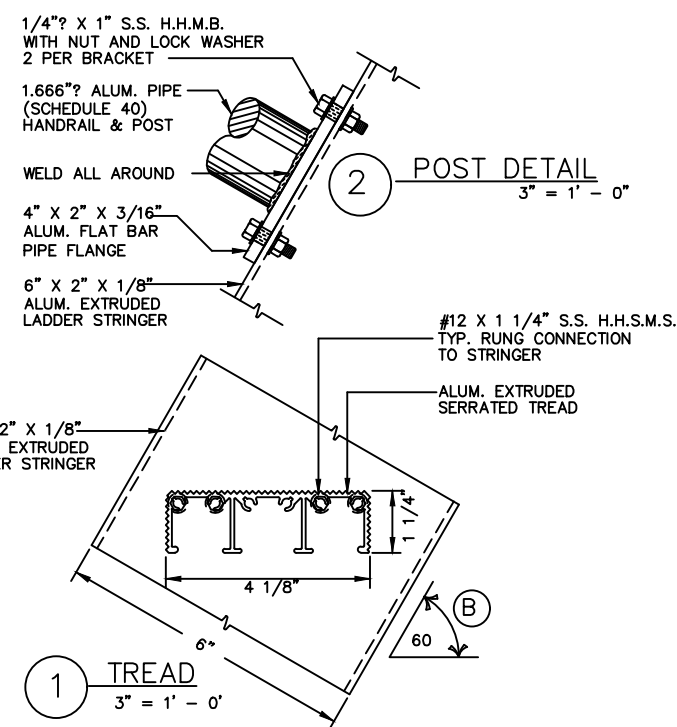
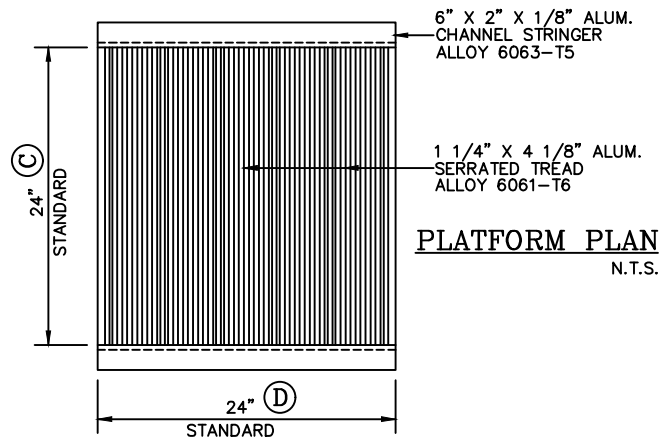
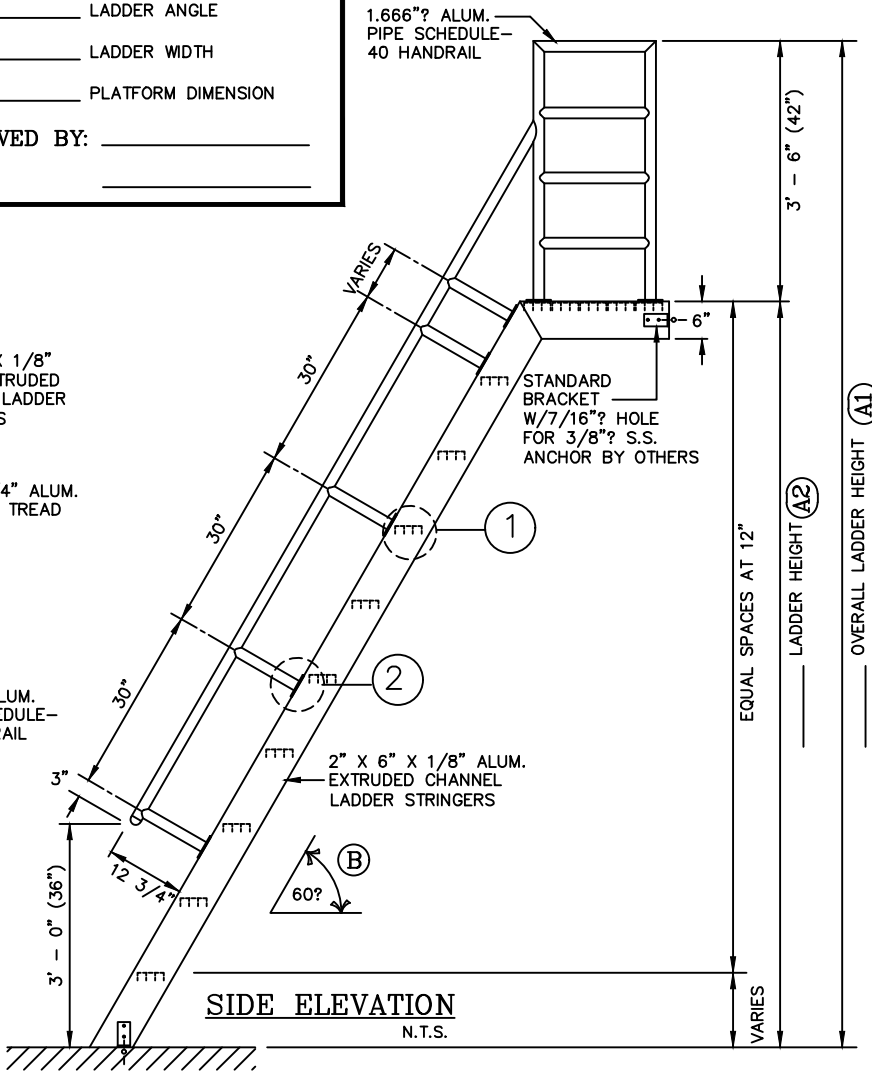
CONTRACTOR TO VERIFY:

(A1) _____ OVERALL LADDER HEIGHT
 (A2) _____ LADDER HEIGHT
 (B) _____ LADDER ANGLE
 (C) _____ LADDER WIDTH
 (D) _____ PLATFORM DIMENSION

APPROVED BY: _____
 DATE _____

NOTE:

- * ALL BOLTS/FASTENERS NECESSARY TO ANCHOR LADDER BY OTHERS
- * PIPE HANDRAIL TO BE FIELD ASSEMBLED



O'KEEFFE'S, INC.

100 N HILL DR, STE 12 TEL: (888) 653-3333
 BRISBANE, CA 94005 FAX: (888) 653-4444 www.okeeffes.com

**ALUMINUM SHIPS LADDER WITH PLATFORM
 MODEL 521A WITH 60° ANGLE**

_____ QUANTITY

MILL FINISH BRONZE ANODIZED
 POWDER COATING CLEAR ANODIZED

SALE NO. _____

DRAWN : _____

DATE : _____

SHEET : _____ **OF** _____