

CONTRACTOR TO VERIFY:

(A1) _____ OVERALL LADDER HEIGHT

(A2) _____ LADDER HEIGHT

(B) _____ LADDER ANGLE

(C) _____ LADDER WIDTH

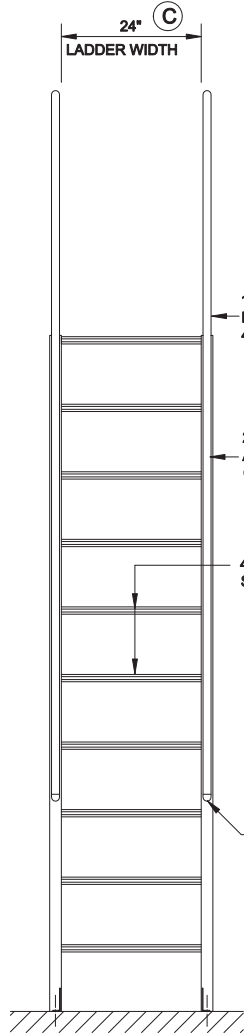
(D) _____ PLATFORM DIMENSION

APPROVED BY: _____

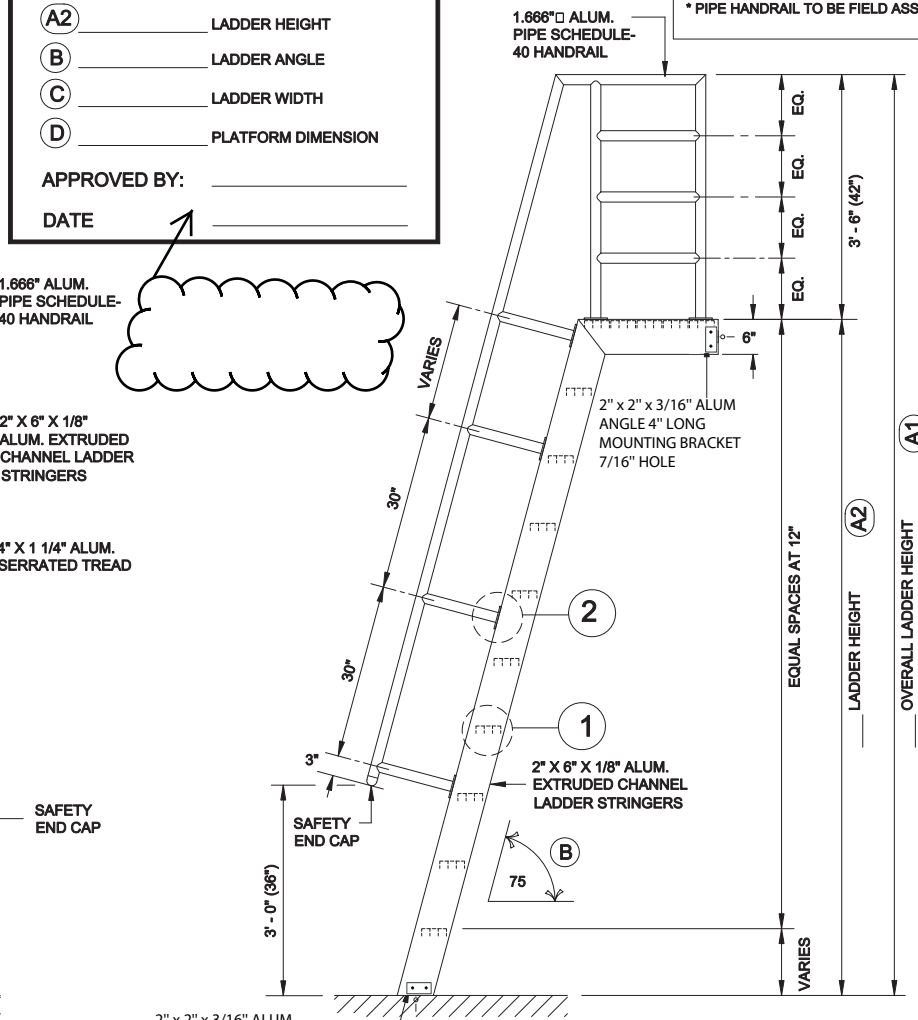
DATE _____

NOTE:

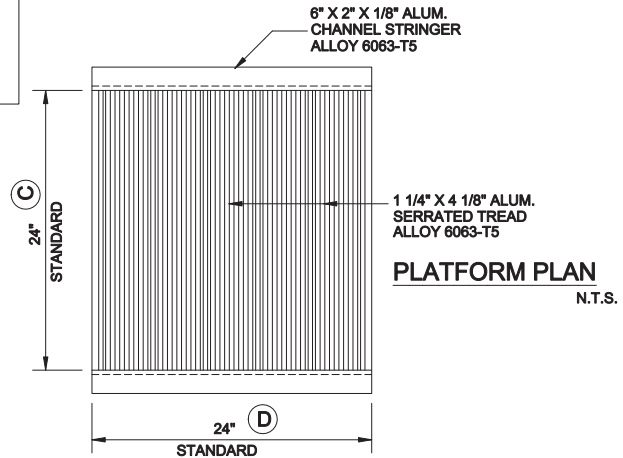
- * ALL BOLTS/FASTENERS NECESSARY TO ANCHOR LADDER BY OTHERS
- * PIPE HANDRAIL TO BE FIELD ASSEMBLED



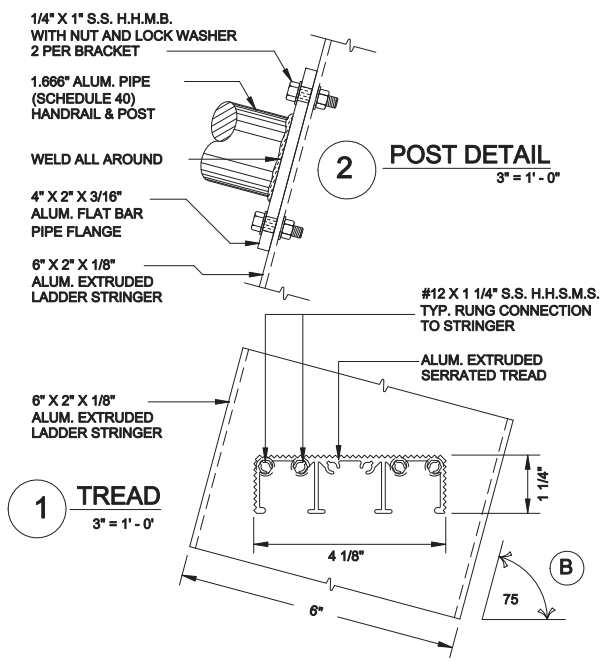
FRONT ELEVATION
N.T.S.



SIDE ELEVATION
N.T.S.



PLATFORM PLAN
N.T.S.



2" x 2" x 3/16" ALUM
ANGLE 4" LONG MOUNTING
BRACKET
7/16" HOLE

**ALUMINUM SHIPS LADDER WITH PLATFORM
MODEL 521 WITH 75° ANGLE**

- ___ QUANTITY
- MILL FINISH
 - POWDER COATING
 - BRONZE ANODIZED
 - CLEAR ANODIZED

SALE NO. _____

DRAWN : _____

DATE : _____

SHEET : ___ OF ___



O'KEEFFE'S, INC.

100 N HILL DR, STE 12
BRISBANE, CA 94005

TEL: (888) 653-3333
FAX: (888) 653-4444 www.okeeffes.com