

**CONTRACTOR TO VERIFY:**

(A1) \_\_\_\_\_ OVERALL LADDER HEIGHT

(A2) \_\_\_\_\_ LADDER HEIGHT

(B) \_\_\_\_\_ LADDER ANGLE

(C) \_\_\_\_\_ LADDER WIDTH

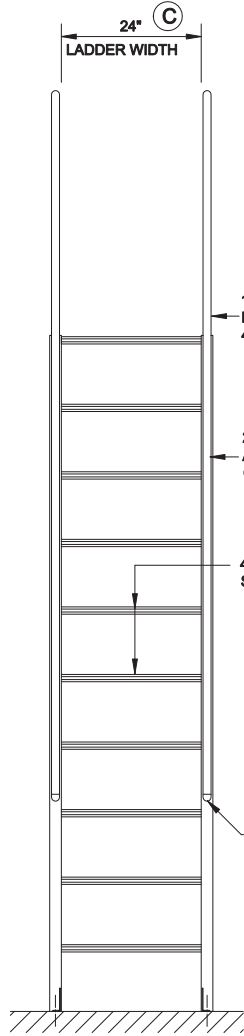
(D) \_\_\_\_\_ PLATFORM DIMENSION

APPROVED BY: \_\_\_\_\_

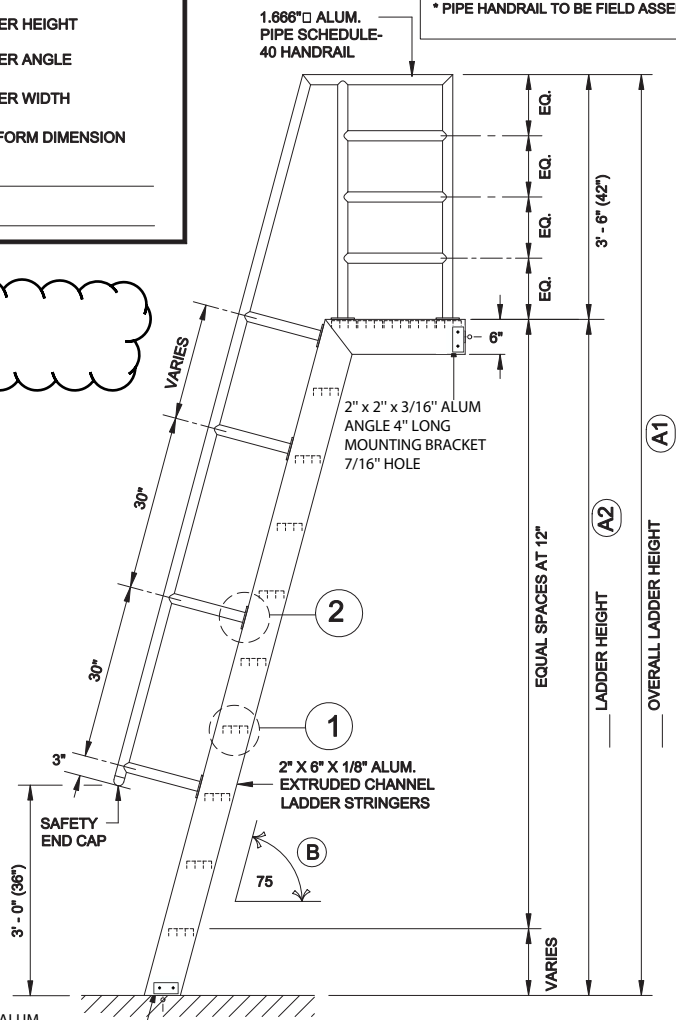
DATE \_\_\_\_\_

**NOTE:**

- \* ALL BOLTS/FASTENERS NECESSARY TO ANCHOR LADDER BY OTHERS
- \* PIPE HANDRAIL TO BE FIELD ASSEMBLED

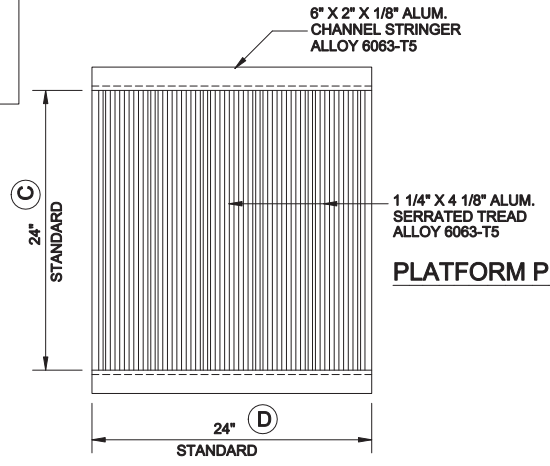


**FRONT ELEVATION**  
N.T.S.

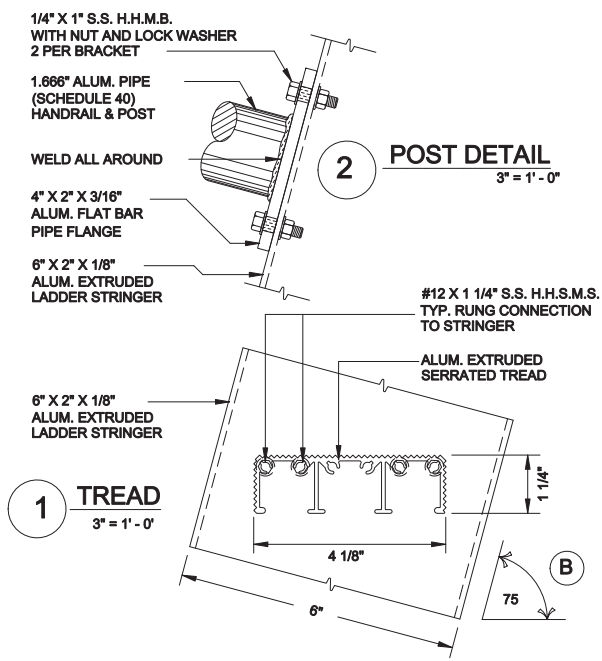


2" x 2" x 3/16" ALUM.  
ANGLE 4" LONG MOUNTING  
BRACKET  
7/16" HOLE

**SIDE ELEVATION**  
N.T.S.



**PLATFORM PLAN**  
N.T.S.



**O'KEEFFE'S, INC.**

100 N HILL DR, STE 12  
BRISBANE, CA 94005

TEL: (888) 653-3333  
FAX: (888) 653-4444 www.okeeffes.com

**ALUMINUM SHIPS LADDER WITH PLATFORM  
MODEL 521 WITH 75° ANGLE**

\_\_\_ QUANTITY

MILL FINISH       BRONZE ANODIZED

POWDER COATING       CLEAR ANODIZED

**SALE NO.** \_\_\_\_\_

**DRAWN :** \_\_\_\_\_

**DATE :** \_\_\_\_\_

**SHEET :** \_\_\_ OF \_\_\_