

CONTRACTOR TO VERIFY:

(A) _____ OVERALL LADDER HEIGHT

(B) _____ F.F. TO TOP OF DECKING

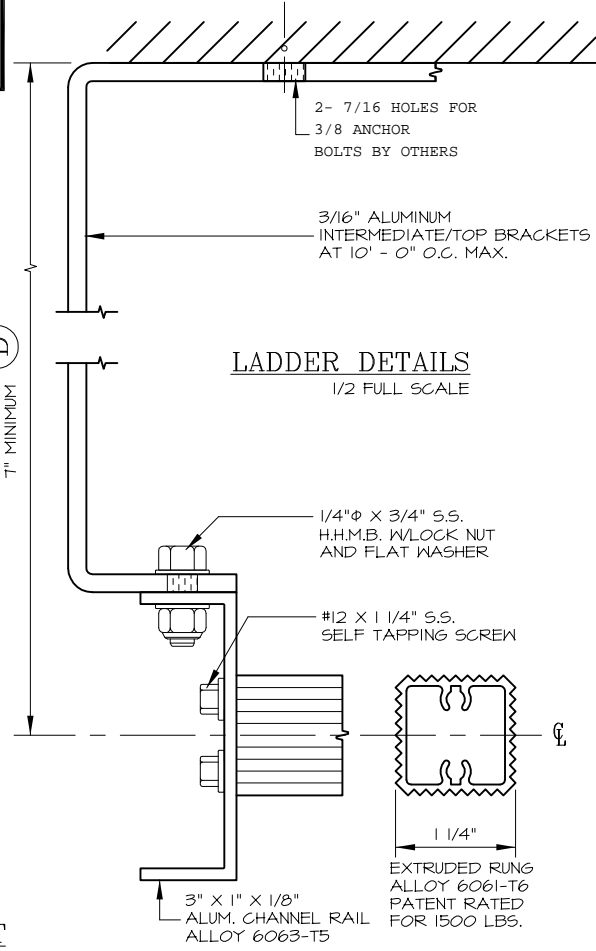
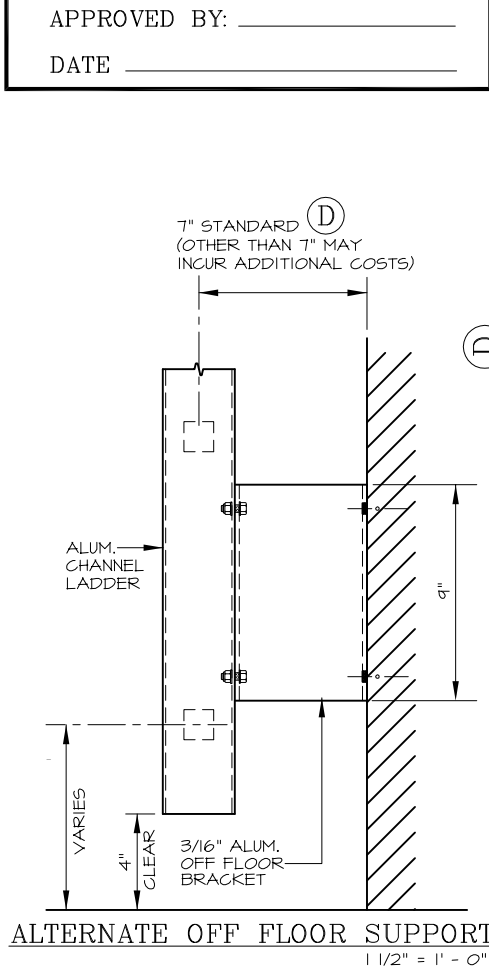
(C) _____ ROOF HATCH BASE HEIGHT

(D) _____ WALL TO ϕ OF LADDER

(E) _____ LADDER WIDTH

APPROVED BY: _____

DATE _____



O'KEEFFE'S, INC.

100 N HILL DR, STE 12
BRISBANE, CA 94005

TEL: (888) 653-3333
FAX: (888) 653-4444 www.okeeffes.com

**STANDARD DUTY CHANNEL RAIL
FIXED ACCESS ALUMINUM LADDER MODEL 500**

_____ QUANTITY	<input type="checkbox"/> ALTERNATE BOTTOM SUPPORT
<input type="checkbox"/> SAFETY POST	<input type="checkbox"/> MILL FINISH <input type="checkbox"/> BRONZE ANODIZED
<input type="checkbox"/> INTERMEDIATE BRACKET	<input type="checkbox"/> POWDER COATING <input type="checkbox"/> CLEAR ANODIZED

SALE NO.

DRAWN : _____

DATE : _____

SHEET : _____ OF _____