

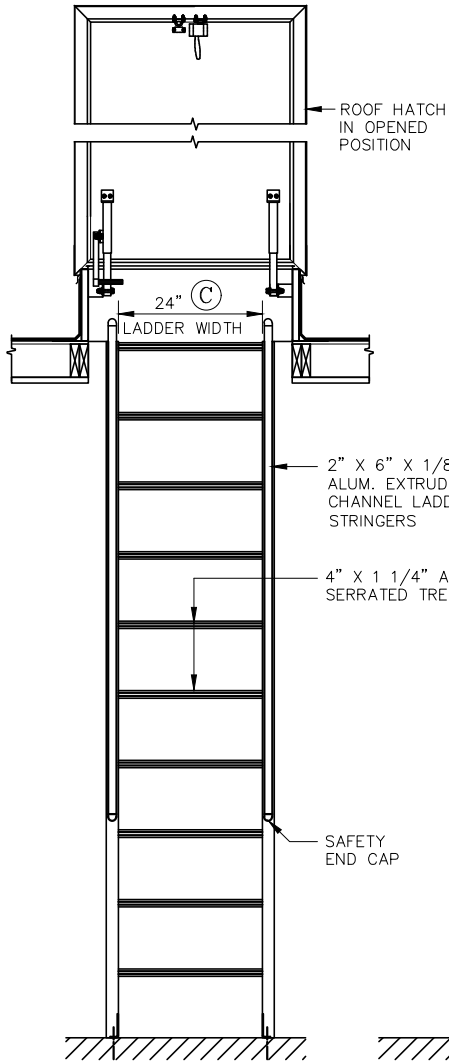
PLEASE SIGN

APPROVED BY: _____

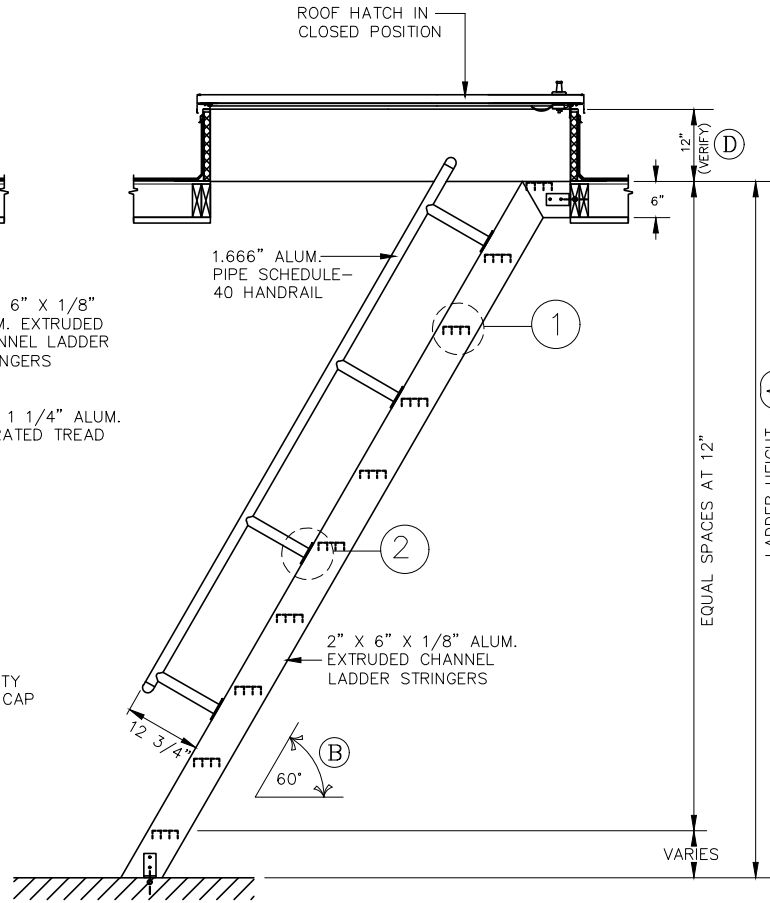
DATE _____

CONTRACTOR TO VERIFY:

- (A) _____ LADDER HEIGHT
- (B) _____ LADDER ANGLE
- (C) _____ LADDER WIDTH
- (D) _____ ROOF HATCH BASE HEIGHT

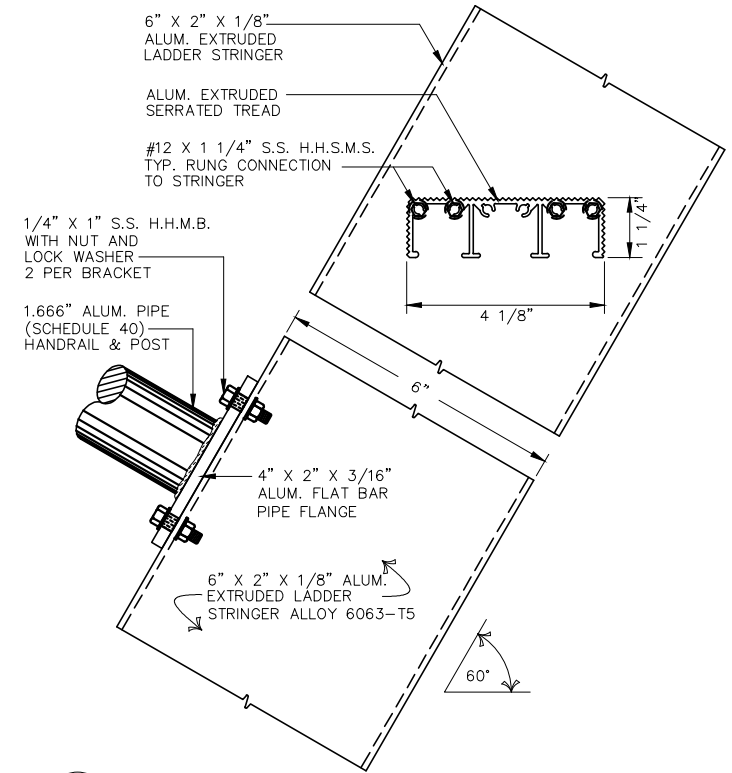


FRONT ELEVATION
N.T.S.



SIDE ELEVATION
N.T.S.

1 TREAD DETAIL
3" = 1' - 0"



2 POST DETAIL
3" = 1' - 0"



O'KEEFFE'S, INC.

100 N. HILL DR. SUITE 12
BRISBANE, CA 94005-1010

TEL: (888) 653-3333
FAX: (888) 653-4444

ALUMINUM SHIP LADDER
ACCESS TO ROOF HATCH MODEL 523A 60°

_____ QUANTITY

- MILL FINISH
- BRONZE ANODIZED
- POWDER COATING
- CLEAR ANODIZED

SALE NO.

DRAWN :

DATE :

SHEET : _____ OF _____