

PLEASE SIGN

CONTRACTOR TO VERIFY:

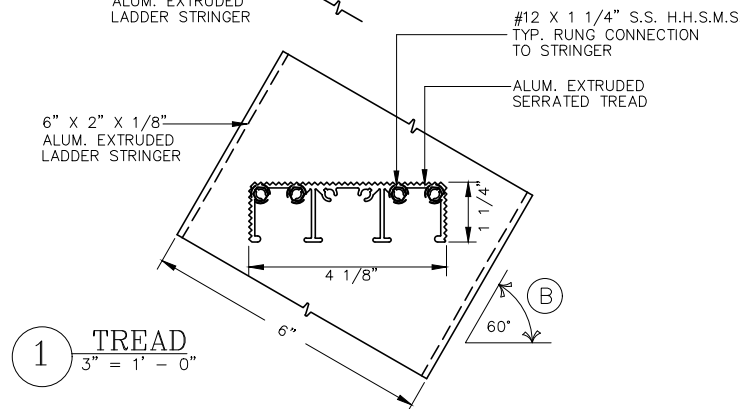
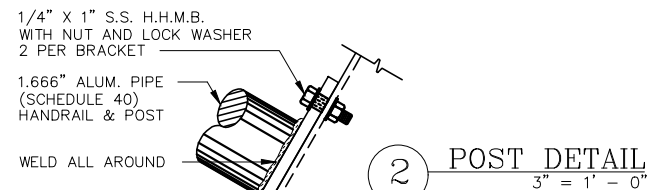
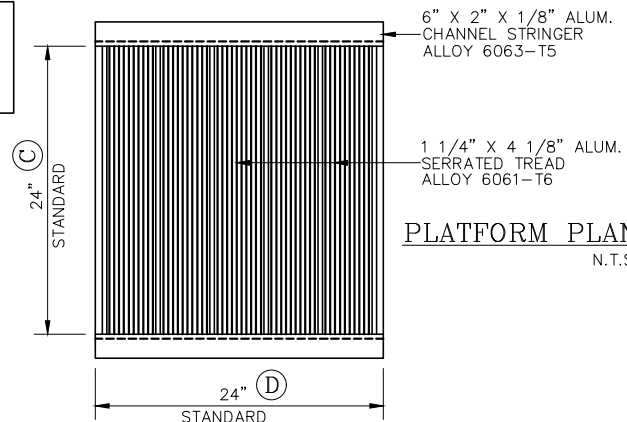
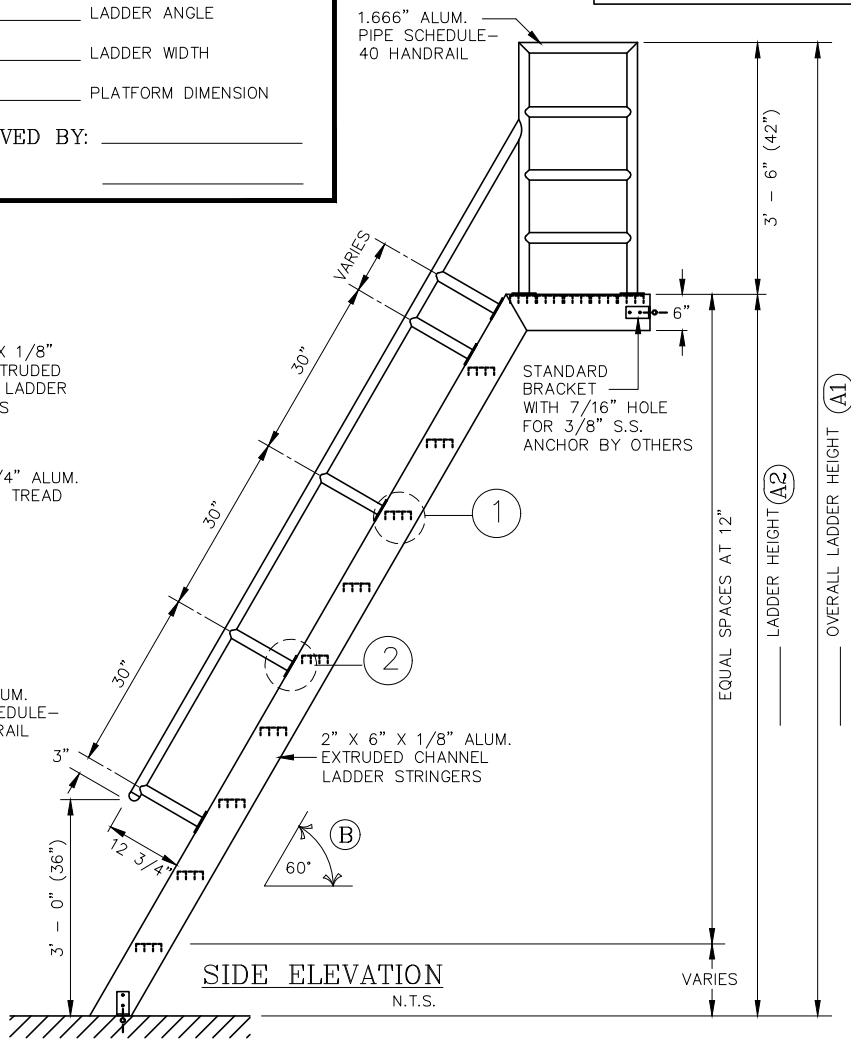
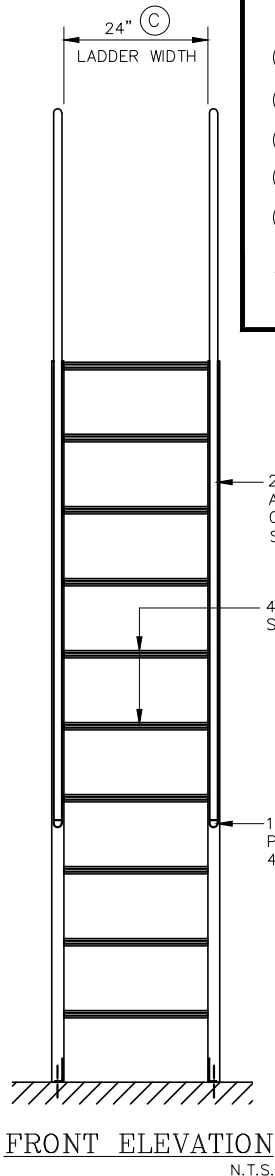
- (A1) _____ OVERALL LADDER HEIGHT
- (A2) _____ LADDER HEIGHT
- (B) _____ LADDER ANGLE
- (C) _____ LADDER WIDTH
- (D) _____ PLATFORM DIMENSION

APPROVED BY: _____

DATE _____

NOTE:

- * ALL BOLTS/FASTENERS NECESSARY TO ANCHOR LADDER BY OTHERS
- * PIPE HANDRAIL TO BE FIELD ASSEMBLED



O'KEEFFE'S, INC.

100 N. HILL DR. SUITE 12
BRISBANE, CA 94005-1010

TEL: (888) 653-3333
FAX: (888) 653-4444

ALUMINUM SHIP LADDER WITH PLATFORM
MODEL 521A WITH 60° ANGLE

_____ QUANTITY

- MILL FINISH
- POWDER COATING
- BRONZE ANODIZED
- CLEAR ANODIZED

SALE NO.

DRAWN :

DATE :

SHEET : _____ OF _____