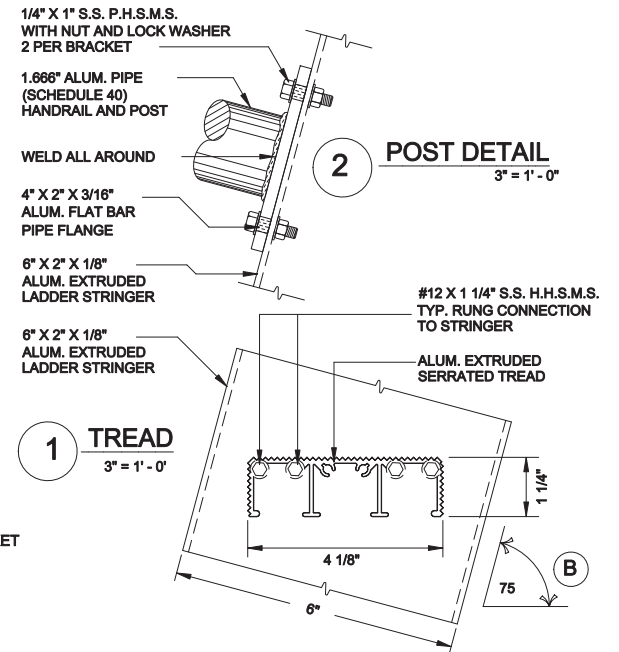
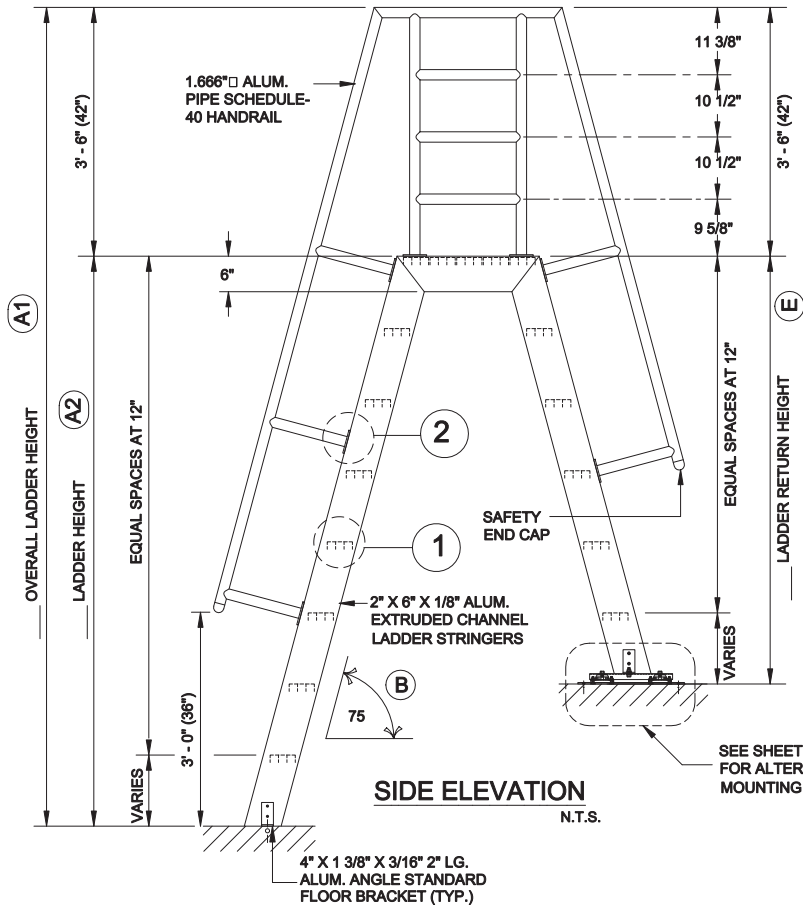
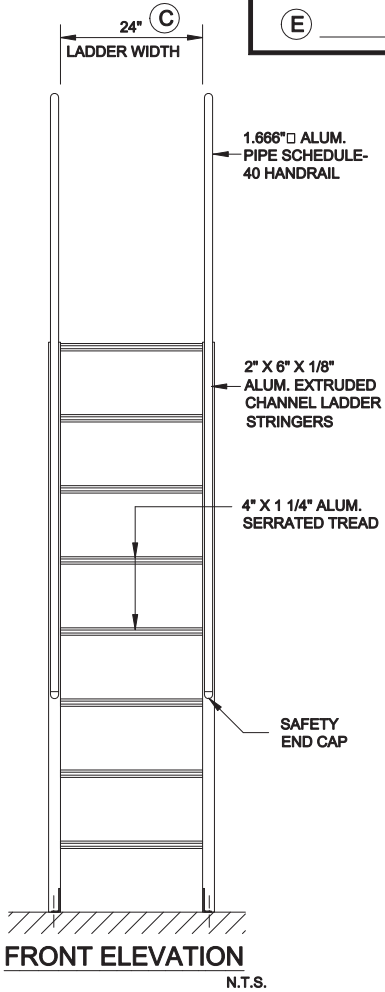
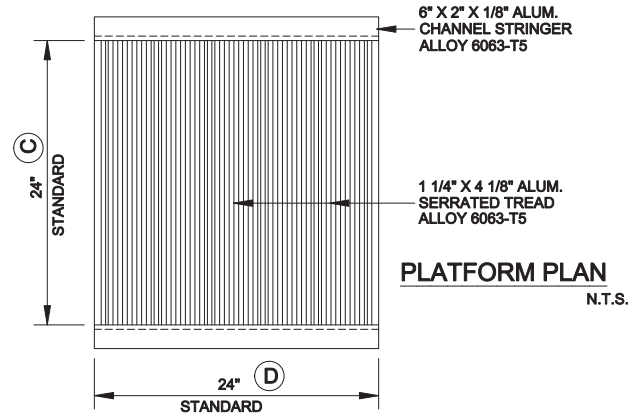


**CONTRACTOR TO VERIFY:**

- (A1) \_\_\_\_\_ OVERALL LADDER HEIGHT
- (A2) \_\_\_\_\_ LADDER HEIGHT
- (B) \_\_\_\_\_ LADDER ANGLE
- (C) \_\_\_\_\_ LADDER WIDTH
- (D) \_\_\_\_\_ PLATFORM DIMENSION
- (E) \_\_\_\_\_ LADDER RETURN HEIGHT

**NOTE:**  
 \* ALL BOLTS/FASTENERS NECESSARY TO ANCHOR LADDER BY OTHERS  
 \* PIPE HANDRAIL TO BE FIELD ASSEMBLED

APPROVED BY: \_\_\_\_\_  
 DATE \_\_\_\_\_



O'KEEFFE'S, INC.

www.okeeffes.com

TEL: (415) 824-4900  
 FAX: (415) 824 5900

**ALUMINUM SHIPS LADDER WITH PLATFORM & TREAD  
 MODEL 522 WITH 75° ANGLE**

QUANTITY \_\_\_\_\_

- MILL FINISH
- BRONZE ANODIZED
- POWDER COATING
- CLEAR ANODIZED

SALE NO. \_\_\_\_\_

DRAWN: \_\_\_\_\_

DATE: \_\_\_\_\_

SHEET: \_\_\_\_\_ OF \_\_\_\_\_