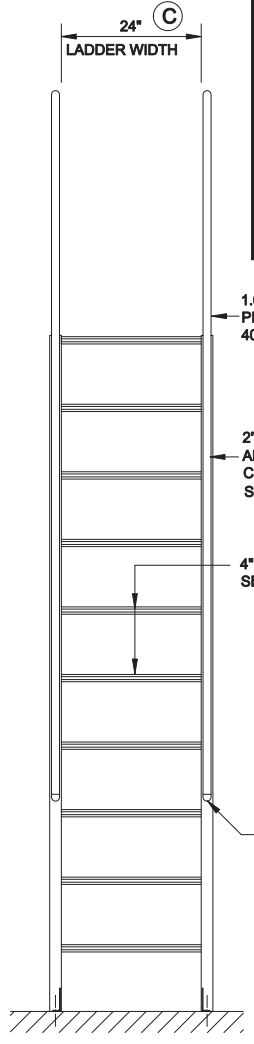


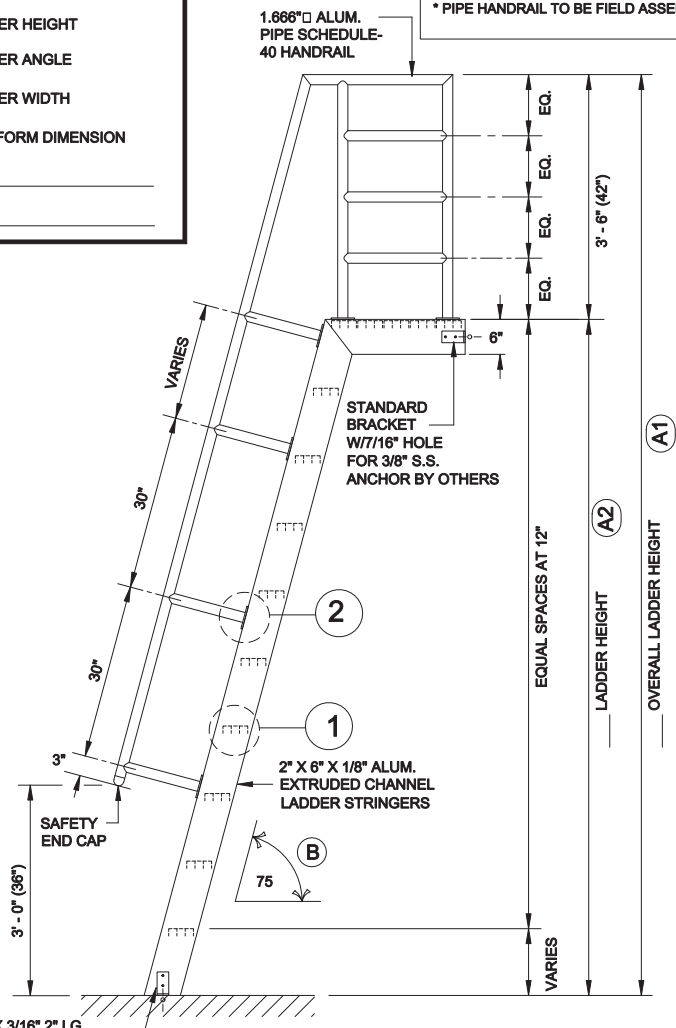
CONTRACTOR TO VERIFY:

- (A1) _____ OVERALL LADDER HEIGHT
 - (A2) _____ LADDER HEIGHT
 - (B) _____ LADDER ANGLE
 - (C) _____ LADDER WIDTH
 - (D) _____ PLATFORM DIMENSION
- APPROVED BY: _____
- DATE _____

NOTE:
 * ALL BOLTS/FASTENERS NECESSARY TO ANCHOR LADDER BY OTHERS
 * PIPE HANDRAIL TO BE FIELD ASSEMBLED

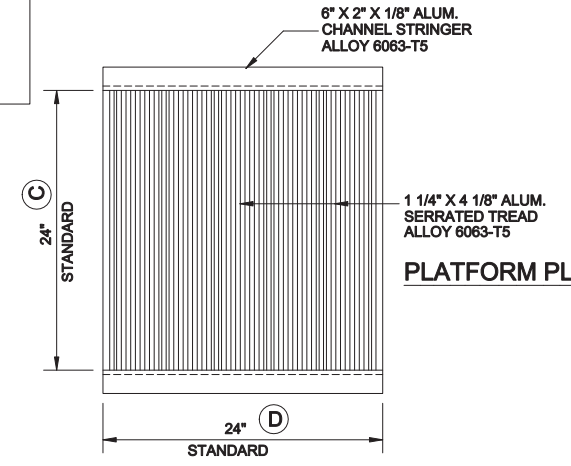


FRONT ELEVATION
N.T.S.

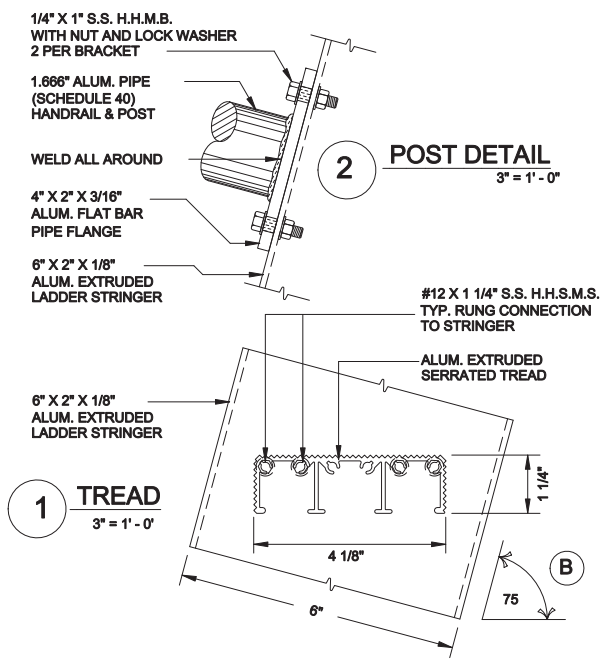


4" X 1 3/8" X 3/16" 2" LG. AL. ANGLE STANDARD FLOOR BRACKET (TYP.)

SIDE ELEVATION
N.T.S.



PLATFORM PLAN
N.T.S.



O'KEEFFE'S, INC.
 www.okeeffes.com
 TEL: (415) 824-4900
 FAX: (415) 824 5900

**ALUMINUM SHIPS LADDER WITH PLATFORM
 MODEL 521 WITH 75° ANGLE**

- ____ QUANTITY
- MILL FINISH
 - POWDER COATING
 - BRONZE ANODIZED
 - CLEAR ANODIZED

SALE NO. _____

DRAWN: _____

DATE: _____

SHEET: ____ OF ____