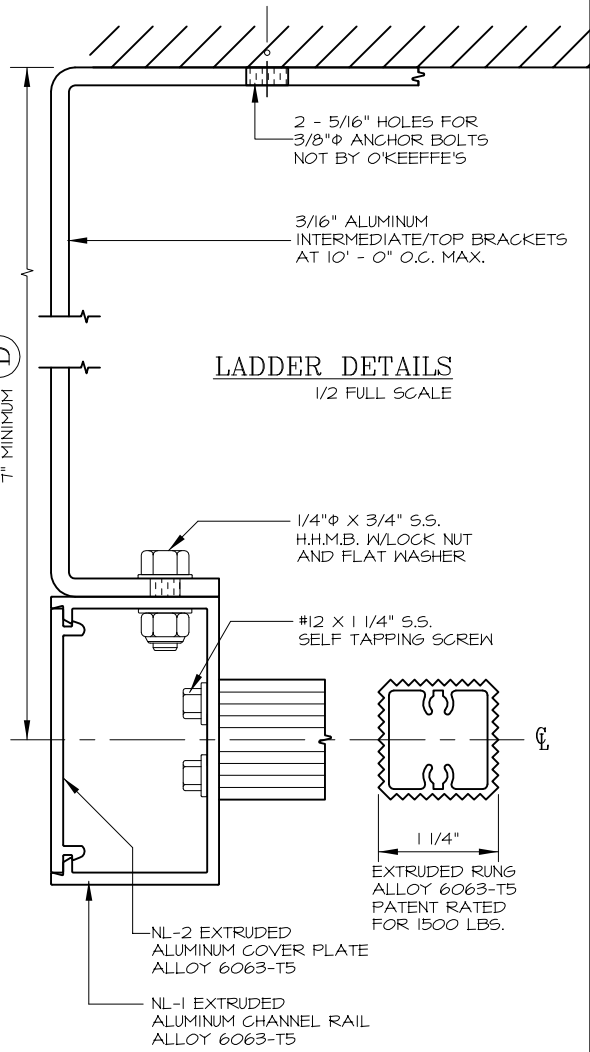
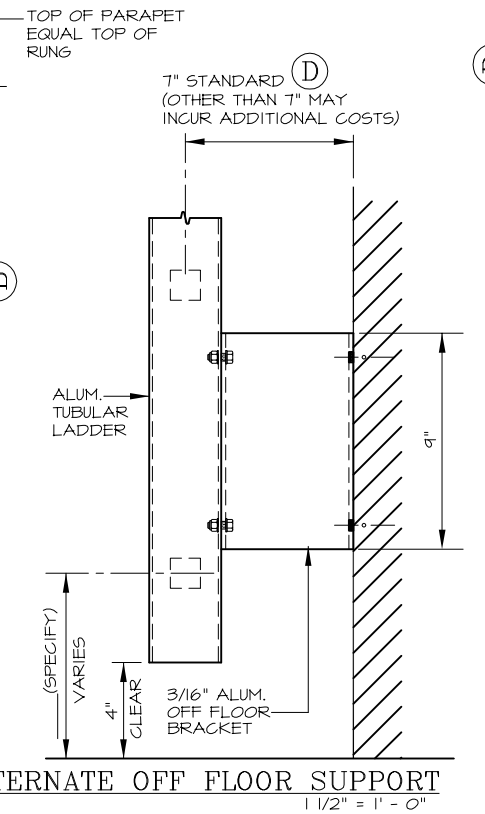


CONTRACTOR TO VERIFY:

(A) _____ OVERALL LADDER HEIGHT
 (B) _____ F.F. TO TOP OF PARAPET
 (C) _____ LADDER WIDTH
 (D) _____ WALL TO ϕ OF LADDER

APPROVED BY: _____
 DATE _____



O'KEEFFE'S, INC.
 www.okeeffes.com
 TEL: (415) 824-4900
 FAX: (415) 824-5900

HEAVY DUTY TUBULAR RAIL ALUMINUM LADDER
LOW PARAPET ACCESS W/ROOF OVER RAIL EXTENSIONS MODEL 502

_____ QUANTITY	<input type="checkbox"/> ALTERNATE BOTTOM SUPPORT
<input type="checkbox"/> SECURITY DOOR	<input type="checkbox"/> MILL FINISH
<input type="checkbox"/> INTERMEDIATE BRACKET	<input type="checkbox"/> POWDER COATING
	<input type="checkbox"/> BRONZE ANODIZED
	<input type="checkbox"/> CLEAR ANODIZED

SALE NO.

DRAWN : _____

DATE : _____

SHEET : _____ OF _____