

**CONTRACTOR TO VERIFY:**

- (A1) \_\_\_\_\_ OVERALL LADDER HEIGHT
- (A2) \_\_\_\_\_ LADDER HEIGHT
- (B) \_\_\_\_\_ LADDER ANGLE
- (C) \_\_\_\_\_ LADDER WIDTH
- (D) \_\_\_\_\_ PLATFORM DIMENSION
- (E) \_\_\_\_\_ LADDER RETURN HEIGHT

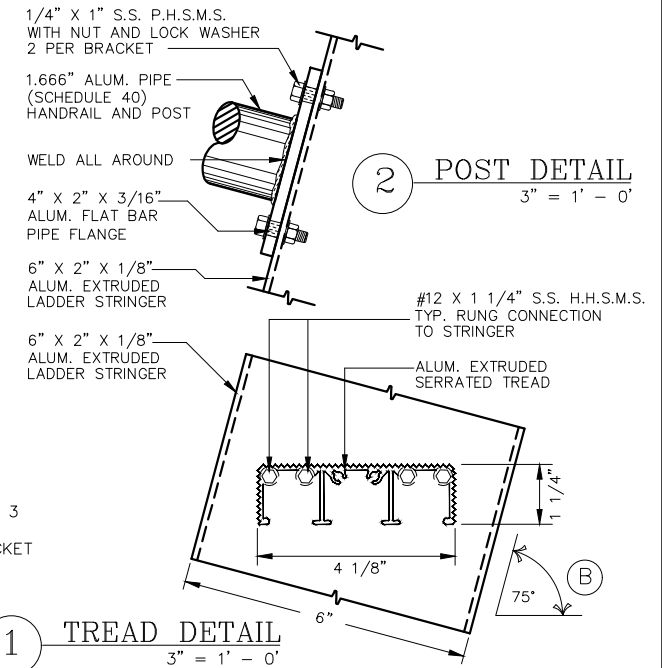
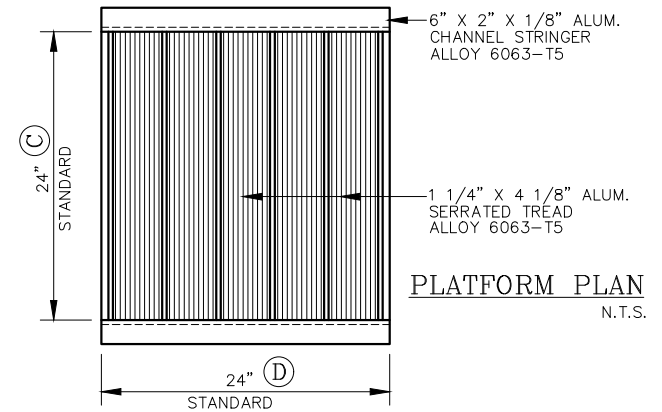
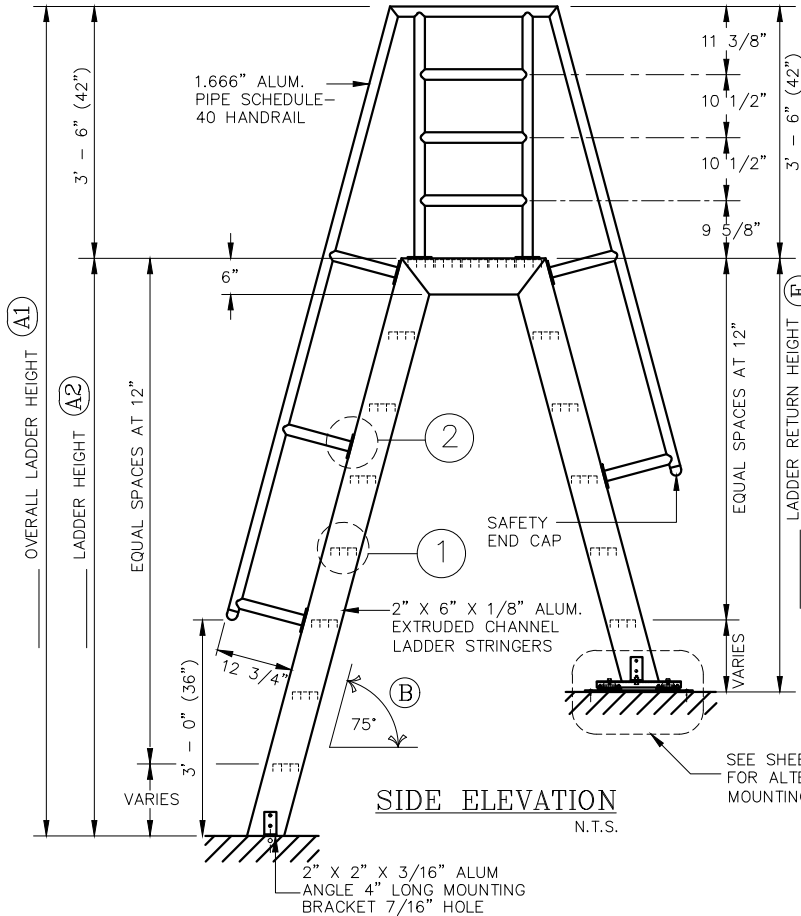
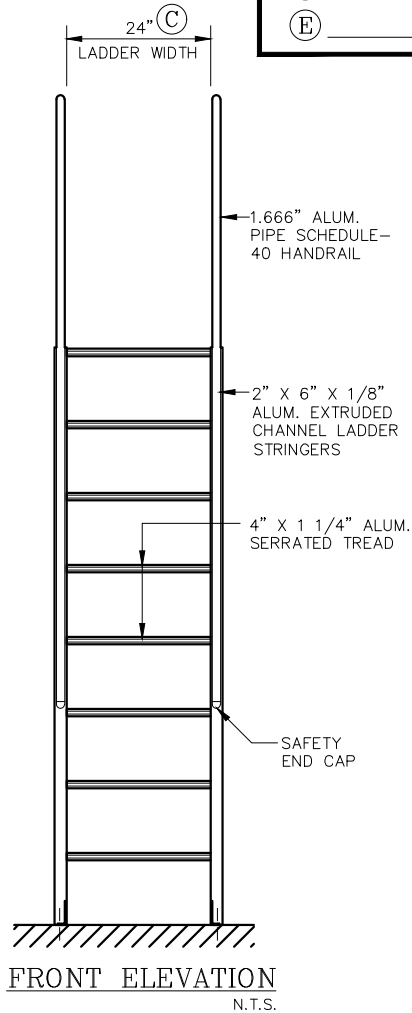
**NOTE:**

- \* ALL BOLTS/FASTENERS NECESSARY TO ANCHOR LADDER BY OTHERS
- \* PIPE HANDRAIL TO BE FIELD ASSEMBLED

APPROVED BY: \_\_\_\_\_

DATE \_\_\_\_\_

PLEASE SIGN



**O'KEEFFE'S, INC.**

100 N. HILL DR. SUITE 12  
BRISBANE, CA 94005-1010

TEL: (888) 653-3333  
FAX: (888) 653-4444

ALUMINUM SHIP LADDER WITH PLATFORM & RETURN  
MODEL 522 WITH 75° ANGLE

\_\_\_\_\_ QUANTITY

- MILL FINISH
- BRONZE ANODIZED
- POWDER COATING
- CLEAR ANODIZED

SALE NO. \_\_\_\_\_

DRAWN : \_\_\_\_\_

DATE : \_\_\_\_\_

SHEET : \_\_\_\_\_ OF \_\_\_\_\_