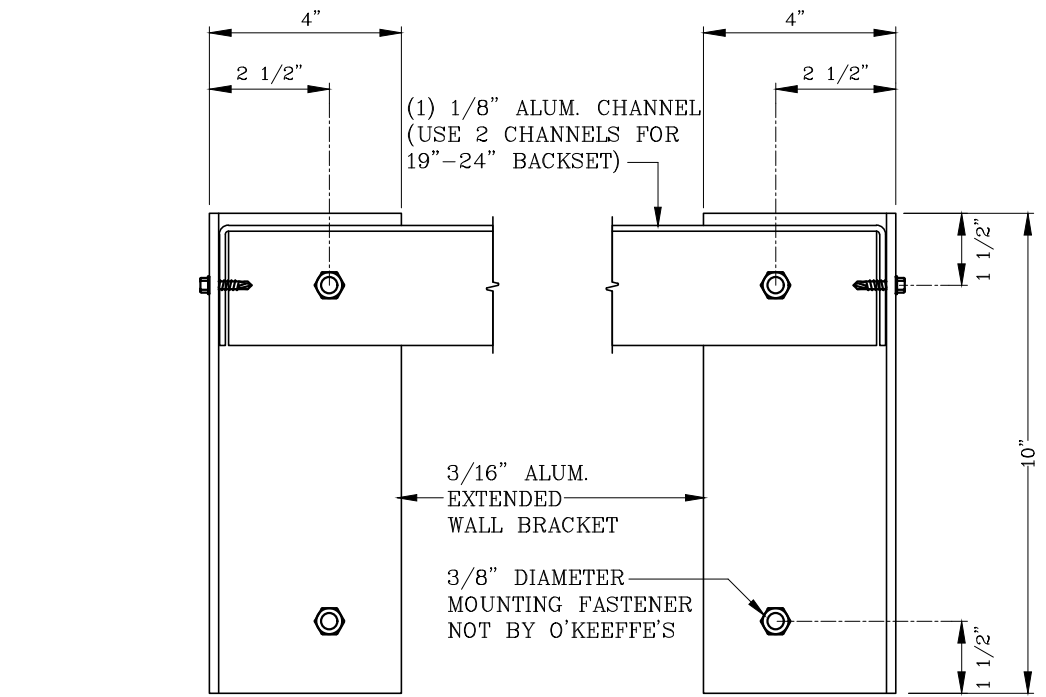
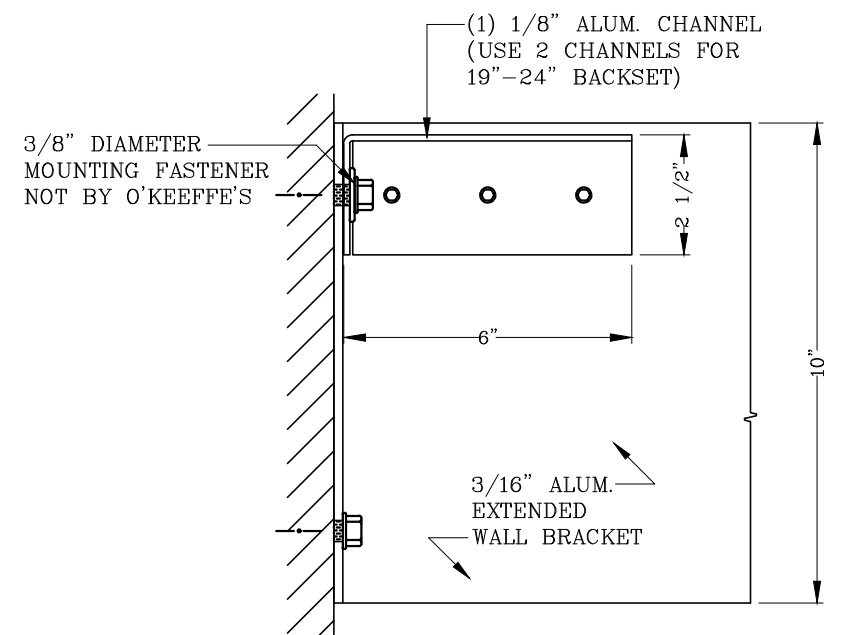


EXTENDED WALL BRACKET
SCALE: 3"=1'-0"



A SECTION A-A
3"=1'-0"



B SECTION B-B
3"=1'-0"

DATE	REVISION:	FINISH:	PROJECT: STANDARD BRACKET	SALE NO. ---
			ADDRESS: ---	TM: ---
			CONTRACTOR: ---	PROJECT MANAGER: ---
			CONTACT: --- TEL.: ---	DATE: ---
				SHEET: <u>1</u> OF <u>1</u>
				DRAWN: ---