

PLEASE SIGN

CONTRACTOR TO VERIFY:

(A) _____ OVERALL LADDER HEIGHT

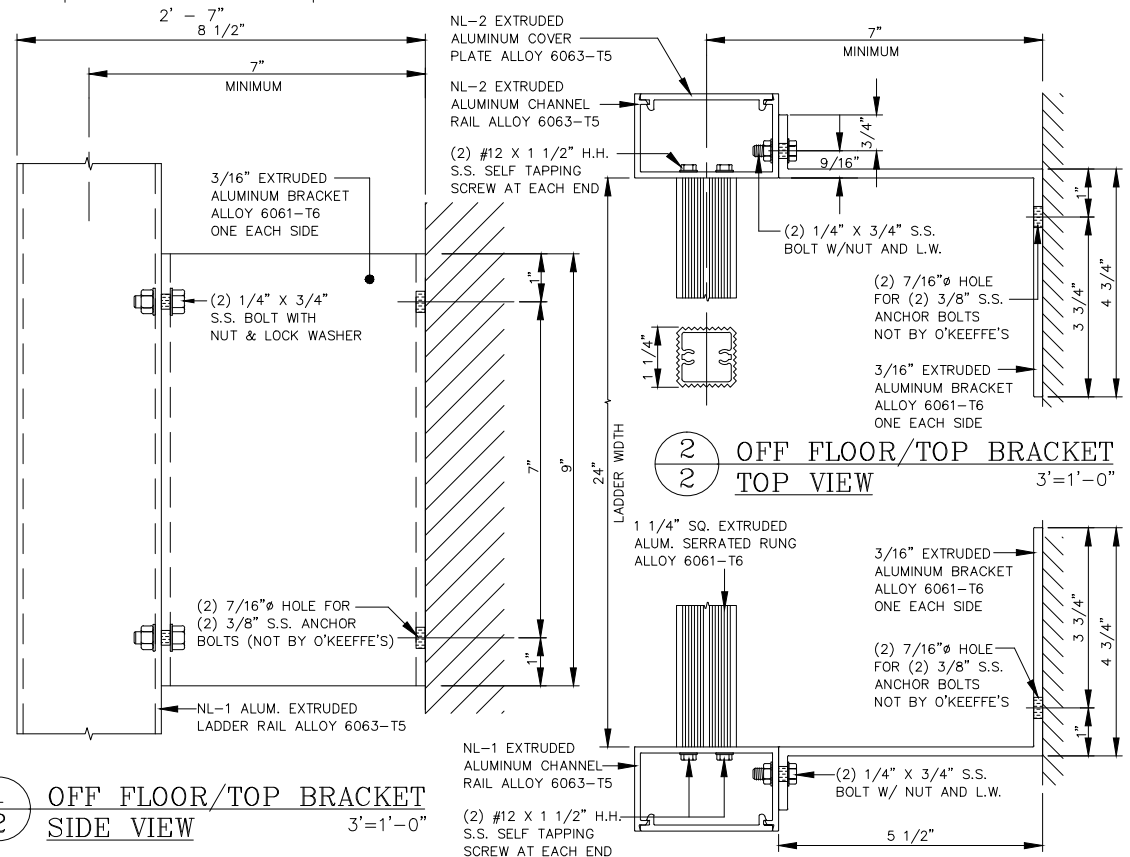
(B) _____ F.F. TO TOP OF PARAPET

(C) _____ LADDER WIDTH

(D) _____ WALL TO C of LADDER

APPROVED BY: _____

DATE: _____



O'KEEFFE'S, INC.

100 N. HILL DR. SUITE 12
BRISBANE, CA 94005-1010

TEL: (415) 824-4900
FAX: (415) 824-5900

HEAVY DUTY TUBULAR RAIL ALUMINUM CAGE LADDER
LOW PARAPET WITH WALK THROUGH RAIL EXTENSIONS MODEL 534

_____ QUANTITY

SECURITY DOOR

INTERMEDIATE BRACKET

ALTERNATE BOTTOM SUPPORT

MILL FINISH

POWDER COATING

BRONZE ANODIZED

CLEAR ANODIZED

SALE NO.

DRAWN :

DATE :

SHEET : _____ OF _____