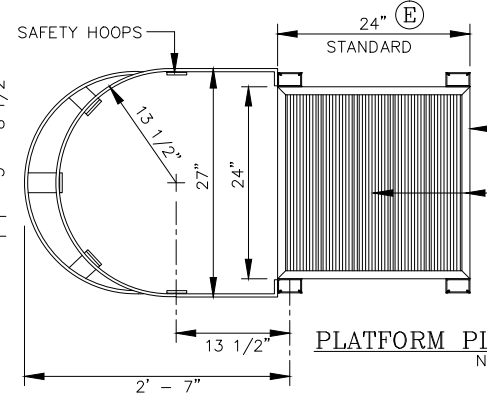
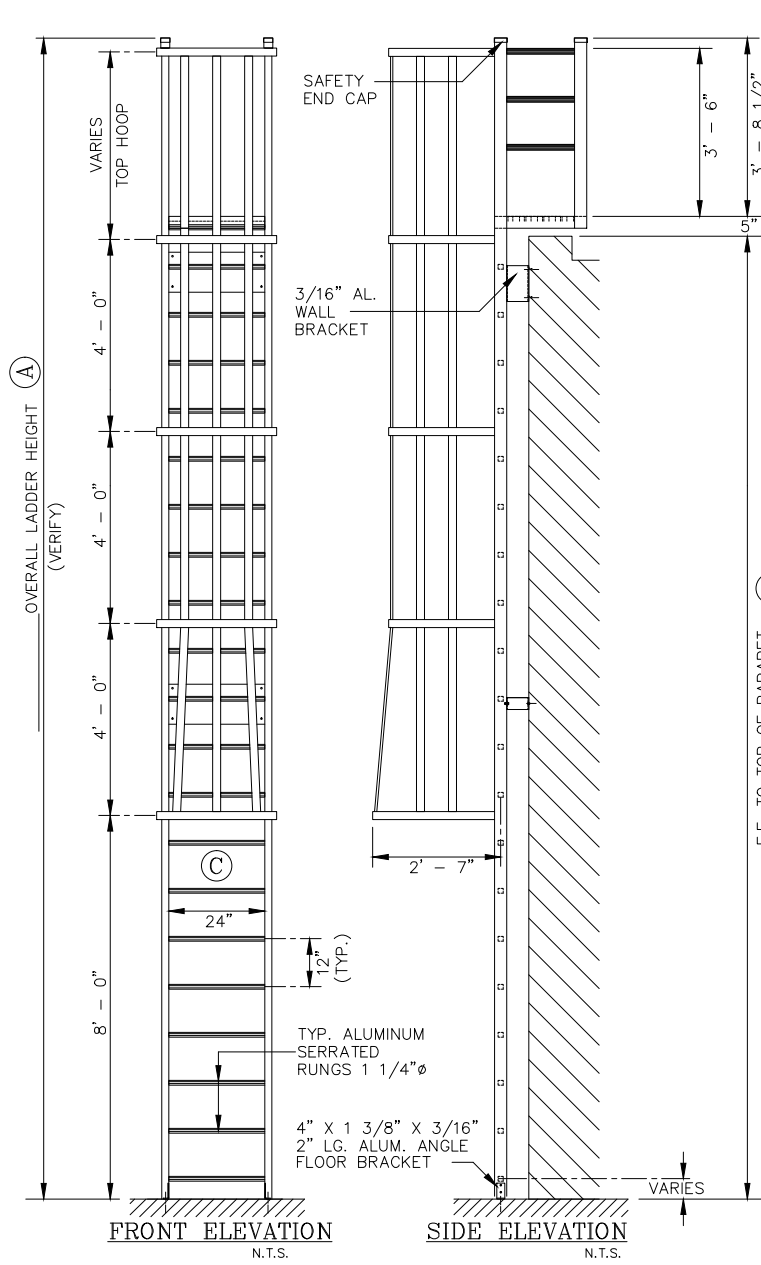


PLEASE SIGN



1" X 3" X 1/8"
ALUM. FRAME
ALLOY 6063-T5

1 1/4" X 4 1/8"
ALUM. SERRATED
TREAD
ALLOY 6061-T6

CONTRACTOR TO VERIFY:

(A) _____ OVERALL LADDER HEIGHT

(B) _____ F.F. TO TOP OF PARAPET

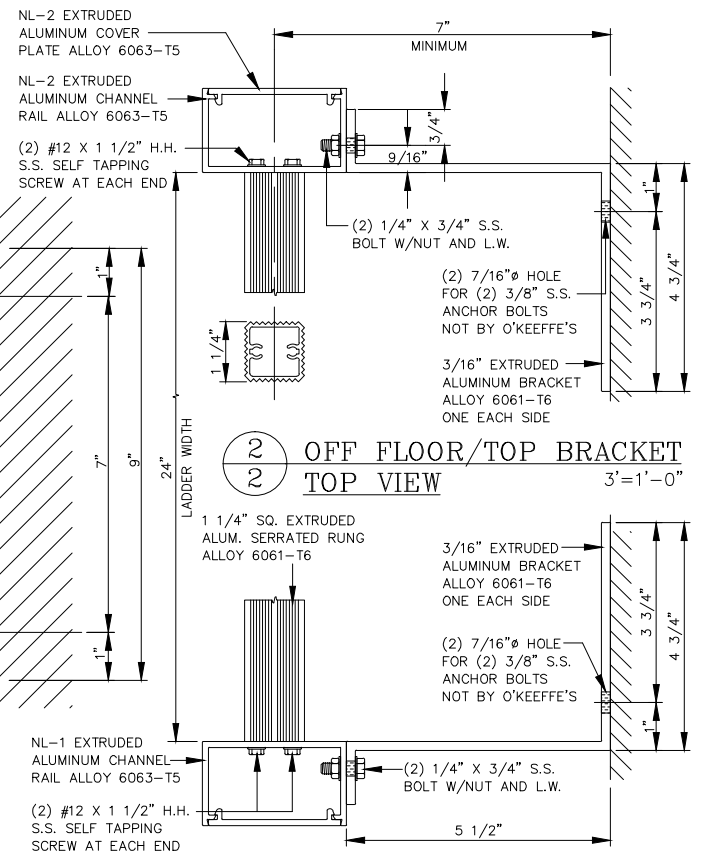
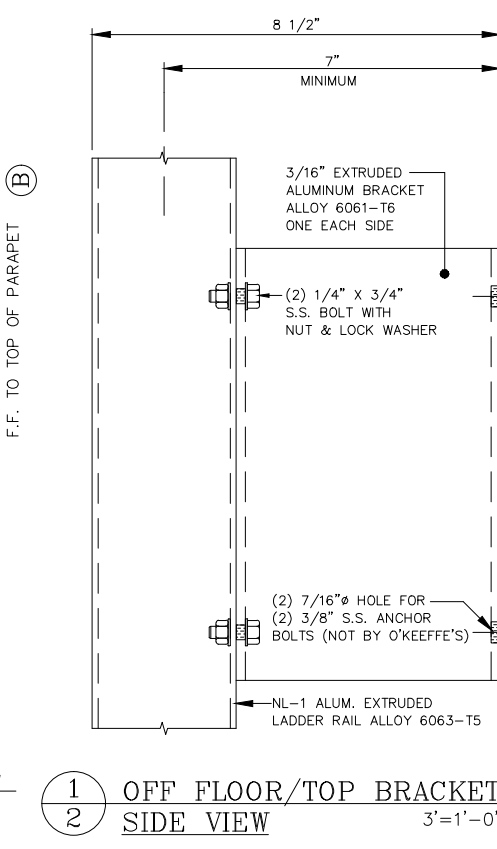
(C) _____ LADDER WIDTH

(D) _____ WALL TO ϕ OF LADDER

(E) _____ PLATFORM LENGTH

APPROVED BY: _____

DATE: _____



O'KEEFFE'S, INC.

100 N. HILL DR. SUITE 12
BRISBANE, CA 94005-1010

TEL: (415) 824-4900
FAX: (415) 824-5900

**HEAVY DUTY TUBULAR RAIL ALUMINUM CAGE LADDER
LOW PARAPET ACCESS WITH PLATFORM MODEL 533A**

- | | |
|---|---|
| _____ QUANTITY | <input type="checkbox"/> ALTERNATE BOTTOM SUPPORT |
| <input type="checkbox"/> SECURITY DOOR | <input type="checkbox"/> MILL FINISH |
| <input type="checkbox"/> INTERMEDIATE BRACKET | <input type="checkbox"/> POWDER COATING |
| | <input type="checkbox"/> BRONZE ANODIZED |
| | <input type="checkbox"/> CLEAR ANODIZED |

SALE NO.

DRAWN :

DATE :

SHEET : _____ OF _____