

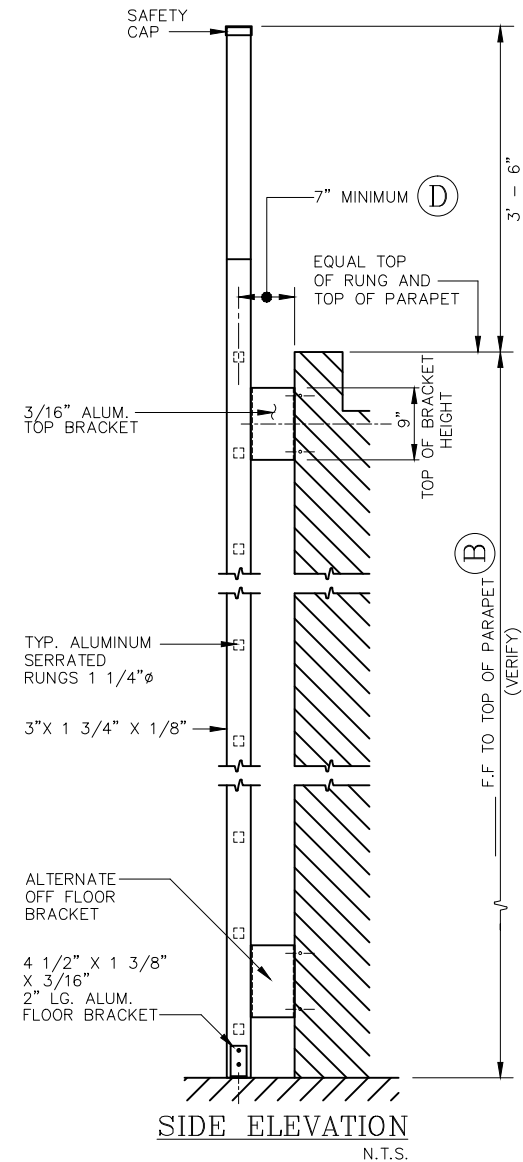
NOTE:
INTERMEDIATE BRACKET
REQUIRED WHEN FINISH
FLOOR TO TOP BRACKET
IS MORE THAN 10' - 0"

CONTRACTOR TO VERIFY:

(A) _____ OVERALL LADDER HEIGHT
 (B) _____ F.F. TO TOP OF PARAPET
 (C) _____ LADDER WIDTH
 (D) _____ WALL TO Q_L OF LADDER

APPROVED BY: _____
 DATE _____

PLEASE SIGN



O'KEEFE'S, INC.

100 N. HILL DR. SUITE 12 TEL: (415) 824-4900
 BRISBANE, CA 94005-1010 FAX: (415) 824-5900

**TUBULAR RAIL LOW PARAPET ACCESS LADDER
 WITH WALK THROUGH RAIL EXTENSION MODEL 504**

- | | |
|---|---|
| _____ QUANTITY | <input type="checkbox"/> ALTERNATE BOTTOM SUPPORT |
| <input type="checkbox"/> SECURITY DOOR | <input type="checkbox"/> MILL FINISH <input type="checkbox"/> BRONZE ANODIZED |
| <input type="checkbox"/> INTERMEDIATE BRACKET | <input type="checkbox"/> POWDER COATING <input type="checkbox"/> CLEAR ANODIZED |

SALE NO.

DRAWN :

DATE :

SHEET : _____ OF _____