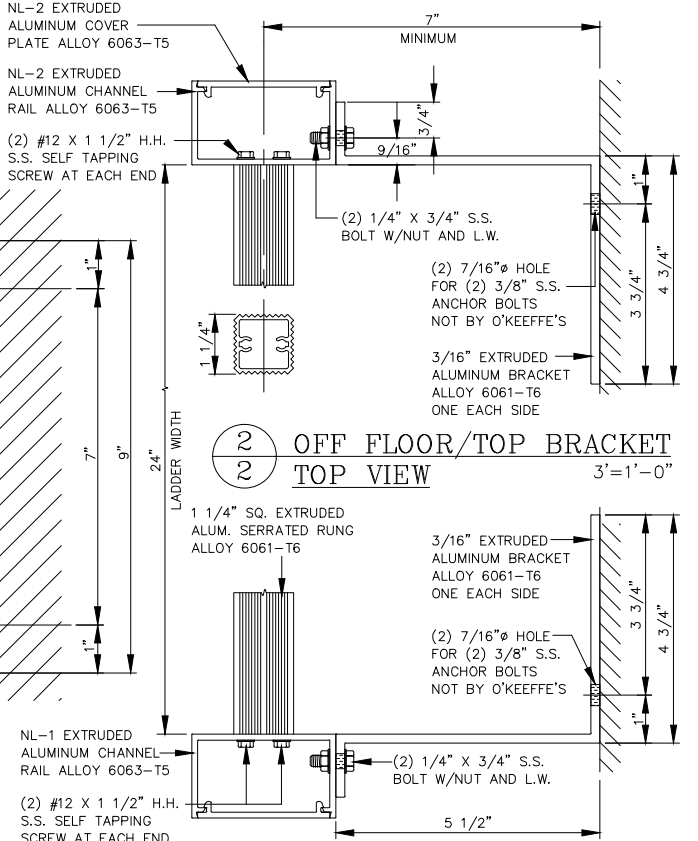


CONTRACTOR TO VERIFY:

(A1) _____ OVERALL LADDER HEIGHT
 (A2) _____ F.F. TO TOP OF PARAPET
 (B) _____ ROOF TO TOP OF PARAPET
 (C) _____ PARAPET WIDTH
 (D1) _____ WALL TO CL OF LADDER
 (D2) _____ WALL TO CL OF LADDER
 (E) _____ LADDER WIDTH

APPROVED BY: _____
 DATE: _____

PLEASE SIGN



O'KEEFFE'S, INC.
 100 N. HILL DR. SUITE 12
 BRISBANE, CA 94005-1010
 TEL: (415) 824-4900
 FAX: (415) 824-5900

TUBULAR RAIL HIGH PARAPET ACCESS LADDER
ALUMINUM LADDER WITH PLATFORM AND RETURN MODEL 503

- | | |
|---|---|
| _____ QUANTITY | <input type="checkbox"/> ALTERNATE BOTTOM SUPPORT |
| <input type="checkbox"/> SECURITY DOOR | <input type="checkbox"/> MILL FINISH |
| <input type="checkbox"/> INTERMEDIATE BRACKET | <input type="checkbox"/> POWDER COATING |
| | <input type="checkbox"/> BRONZE ANODIZED |
| | <input type="checkbox"/> CLEAR ANODIZED |

SALE NO.

DRAWN : _____

DATE : _____

SHEET : _____ OF _____