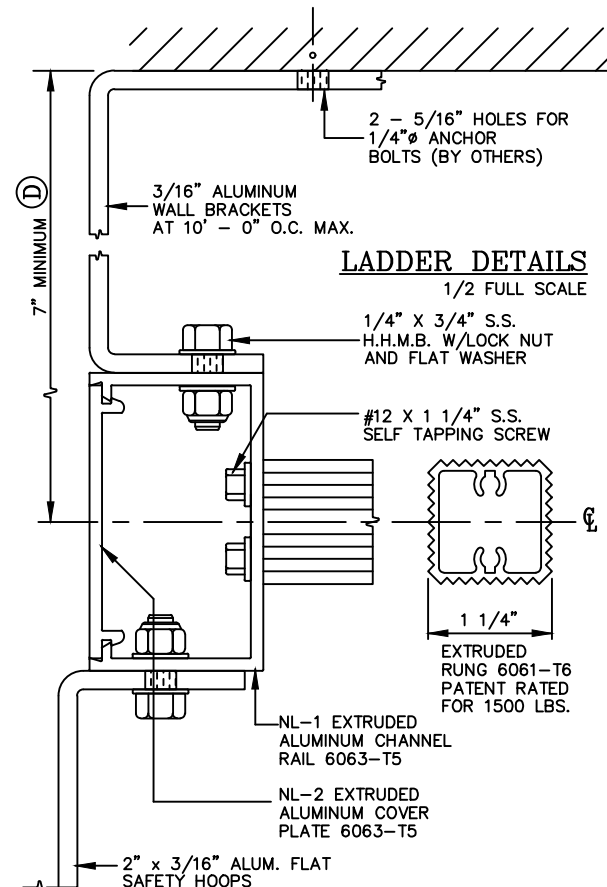


CONTRACTOR TO VERIFY:

(A) _____ OVERALL LADDER HEIGHT
 (B) _____ F.F. TO TOP OF PARAPET
 (C) _____ LADDER WIDTH
 (D) _____ WALL TO ? OF LADDER

APPROVED BY: _____
 DATE: _____



O'KEEFFE'S, INC.

100 N HILL DR, STE 12 TEL: (888) 653-3333
 BRISBANE, CA 94005 FAX: (888) 653-4444 www.okeeffes.com

**HEAVY DUTY TUBULAR RAIL ALUMINUM CAGE LADDER
 LOW PARAPET WITH WALK THROUGH RAIL EXTENSIONS MODEL 534**

- | | |
|---|---|
| _____ QUANTITY | <input type="checkbox"/> ALTERNATE BOTTOM SUPPORT |
| <input type="checkbox"/> SECURITY DOOR | <input type="checkbox"/> MILL FINISH |
| <input type="checkbox"/> INTERMEDIATE BRACKET | <input type="checkbox"/> POWDER COATING |
| | <input type="checkbox"/> BRONZE ANODIZED |
| | <input type="checkbox"/> CLEAR ANODIZED |

SALE NO.

DRAWN :

DATE :

SHEET : _____ OF _____