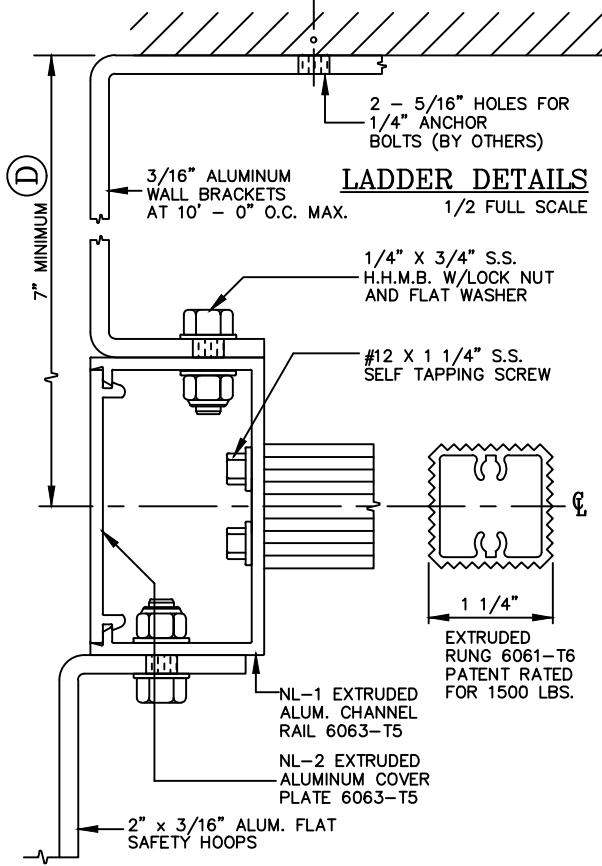


CONTRACTOR TO VERIFY:

(A1) _____ OVERALL LADDER HEIGHT
 (A2) _____ F.F. TO TOP OF PARAPET
 (B) _____ ROOF TO TOP OF PARAPET
 (C) _____ PARAPET WIDTH
 (D1) _____ WALL TO ? OF LADDER
 (D2) _____ WALL TO ? OF LADDER
 (E) _____ LADDER WIDTH

APPROVED BY: _____
 DATE: _____



O'KEEFFE'S, INC.

100 N HILL DR, STE 12 TEL: (888) 653-3333
 BRISBANE, CA 94005 FAX: (888) 653-4444 www.okeeffes.com

**HEAVY DUTY TUBULAR RAIL ALUMINUM CAGE LADDER
 HIGH PARAPET ACCESS WITH PLATFORM & RETURN MODEL 533**

- | | |
|---|---|
| <input type="checkbox"/> QUANTITY | <input type="checkbox"/> ALTERNATE BOTTOM SUPPORT |
| <input type="checkbox"/> SECURITY DOOR | <input type="checkbox"/> MILL FINISH <input type="checkbox"/> BRONZE ANODIZED |
| <input type="checkbox"/> INTERMEDIATE BRACKET | <input type="checkbox"/> POWDER COATING <input type="checkbox"/> CLEAR ANODIZED |

SALE NO. _____

DRAWN : _____

DATE : _____

SHEET : _____ **OF** _____