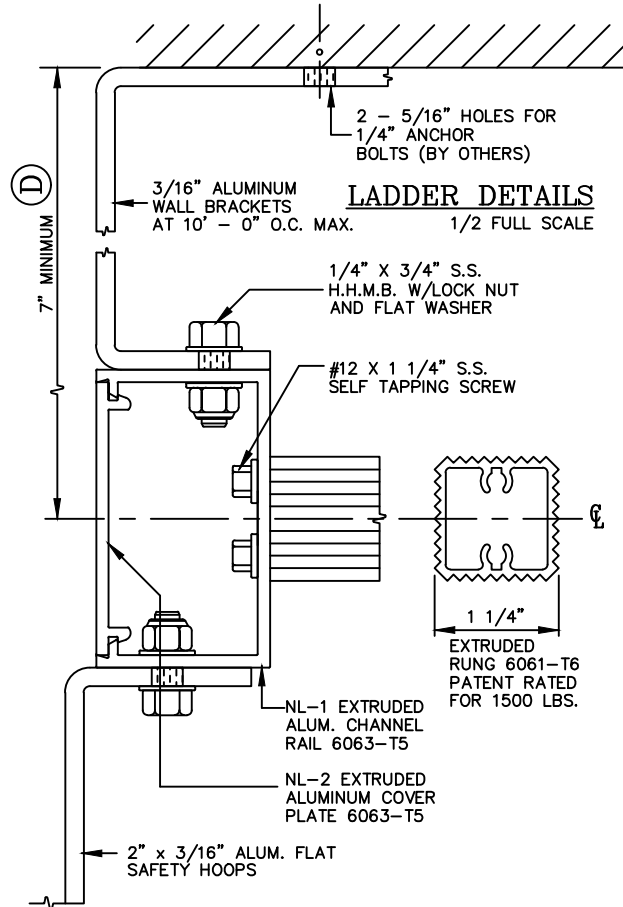


CONTRACTOR TO VERIFY:

(A) _____ OVERALL LADDER HEIGHT
 (B) _____ F.F. TO TOP OF PARAPET
 (C) _____ LADDER WIDTH
 (D) _____ WALL TO ? OF LADDER

APPROVED BY: _____
 DATE _____



O'KEEFFE'S, INC.

100 N HILL DR, STE 12 TEL: (888) 653-3333
 BRISBANE, CA 94005 FAX: (888) 653-4444 www.okeeffes.com

HEAVY DUTY TUBULAR RAIL ALUMINUM CAGE LADDER
LOW PARAPET ACCESS W/ROOF OVER RAIL EXTENSIONS MODEL 532

_____ QUANTITY	<input type="checkbox"/> ALTERNATE BOTTOM SUPPORT
<input type="checkbox"/> SECURITY DOOR	<input type="checkbox"/> MILL FINISH
<input type="checkbox"/> INTERMEDIATE BRACKET	<input type="checkbox"/> POWDER COATING
	<input type="checkbox"/> BRONZE ANODIZED
	<input type="checkbox"/> CLEAR ANODIZED

SALE NO. _____
DRAWN : _____
DATE : _____
SHEET : _____ **OF** _____