

CONTRACTOR TO VERIFY:

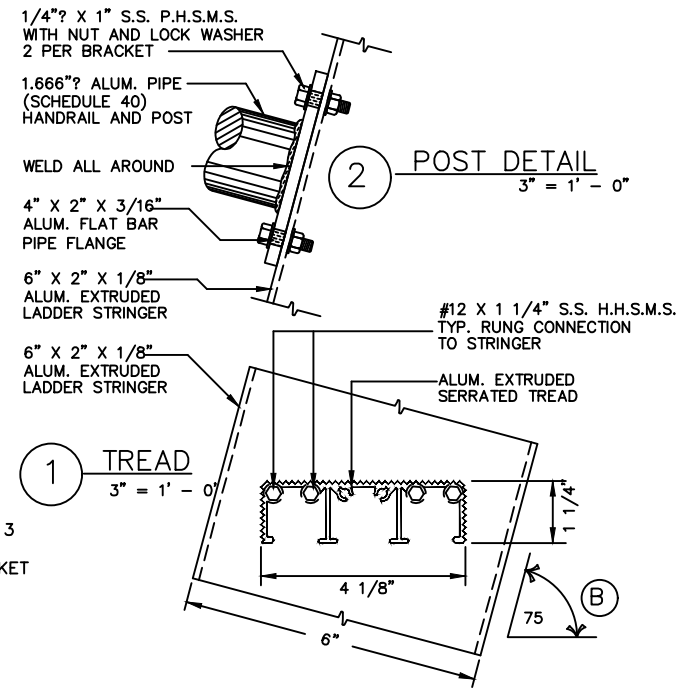
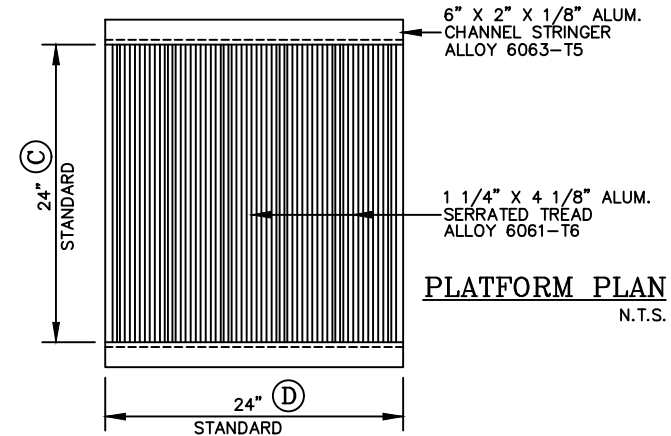
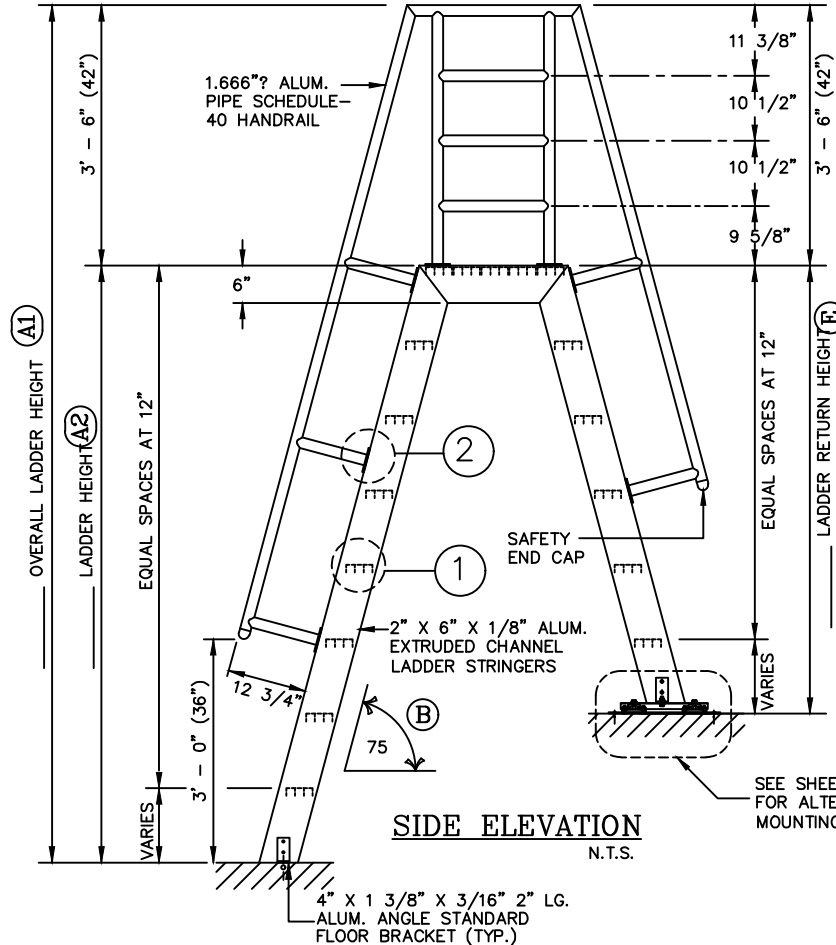
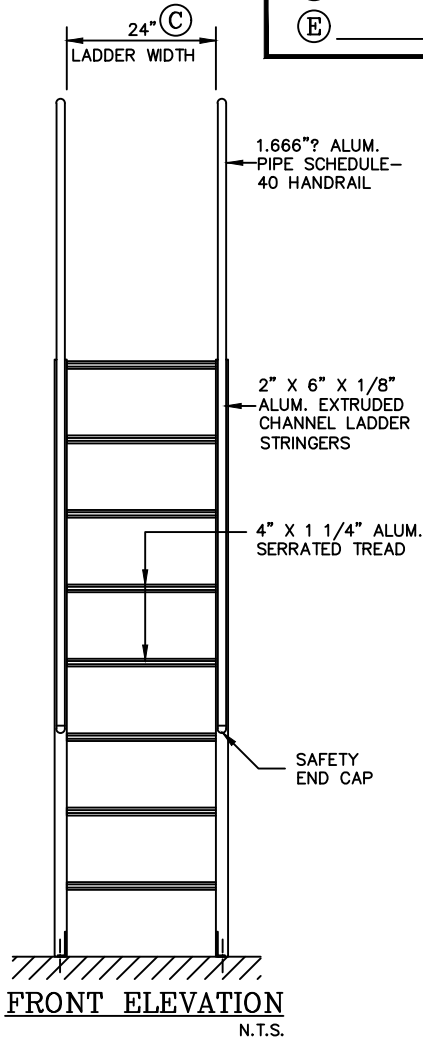
- (A1) _____ OVERALL LADDER HEIGHT
- (A2) _____ LADDER HEIGHT
- (B) _____ LADDER ANGLE
- (C) _____ LADDER WIDTH
- (D) _____ PLATFORM DIMENSION
- (E) _____ LADDER RETURN HEIGHT

NOTE:

- * ALL BOLTS/FASTENERS NECESSARY TO ANCHOR LADDER BY OTHERS
- * PIPE HANDRAIL TO BE FIELD ASSEMBLED

APPROVED BY: _____

DATE _____



O'KEEFFE'S, INC.
100 N HILL DR, STE 12 TEL: (888) 653-3333
BRISBANE, CA 94005 FAX: (888) 653-4444 www.okeeffes.com

**ALUMINUM SHIPS LADDER WITH PLATFORM & RETURN
MODEL 522 WITH 75° ANGLE**

- _____ QUANTITY
- MILL FINISH
 - BRONZE ANODIZED
 - POWDER COATING
 - CLEAR ANODIZED

SALE NO.

DRAWN :

DATE :

SHEET : _____ OF _____