

**CONTRACTOR TO VERIFY:**

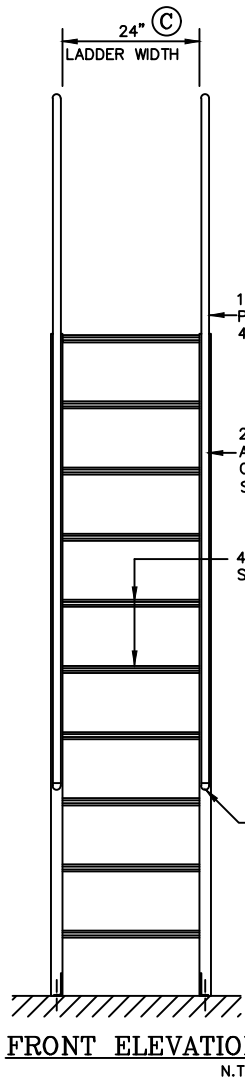
- (A1) \_\_\_\_\_ OVERALL LADDER HEIGHT
- (A2) \_\_\_\_\_ LADDER HEIGHT
- (B) \_\_\_\_\_ LADDER ANGLE
- (C) \_\_\_\_\_ LADDER WIDTH
- (D) \_\_\_\_\_ PLATFORM DIMENSION

APPROVED BY: \_\_\_\_\_

DATE \_\_\_\_\_

**NOTE:**

- \* ALL BOLTS/FASTENERS NECESSARY TO ANCHOR LADDER BY OTHERS
- \* PIPE HANDRAIL TO BE FIELD ASSEMBLED

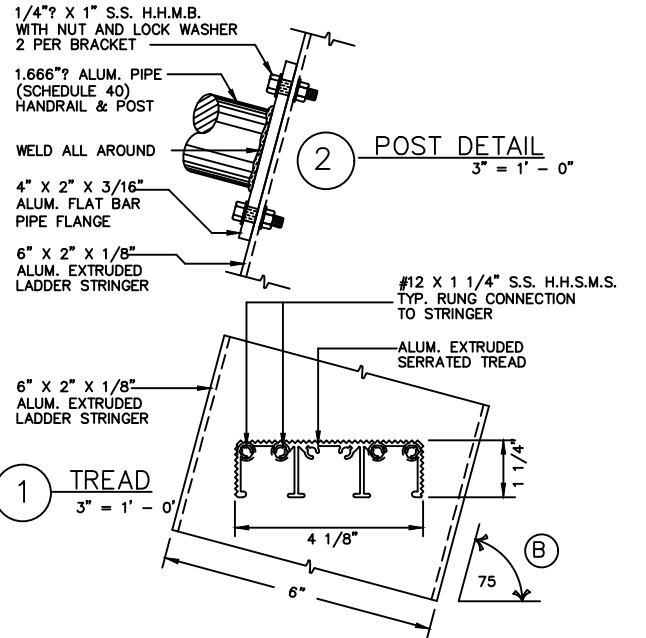
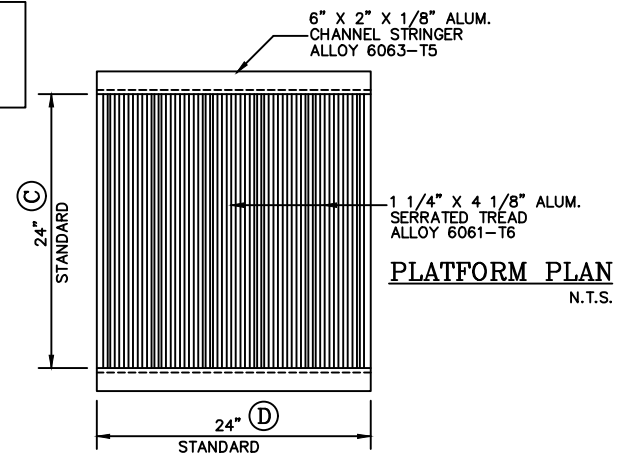
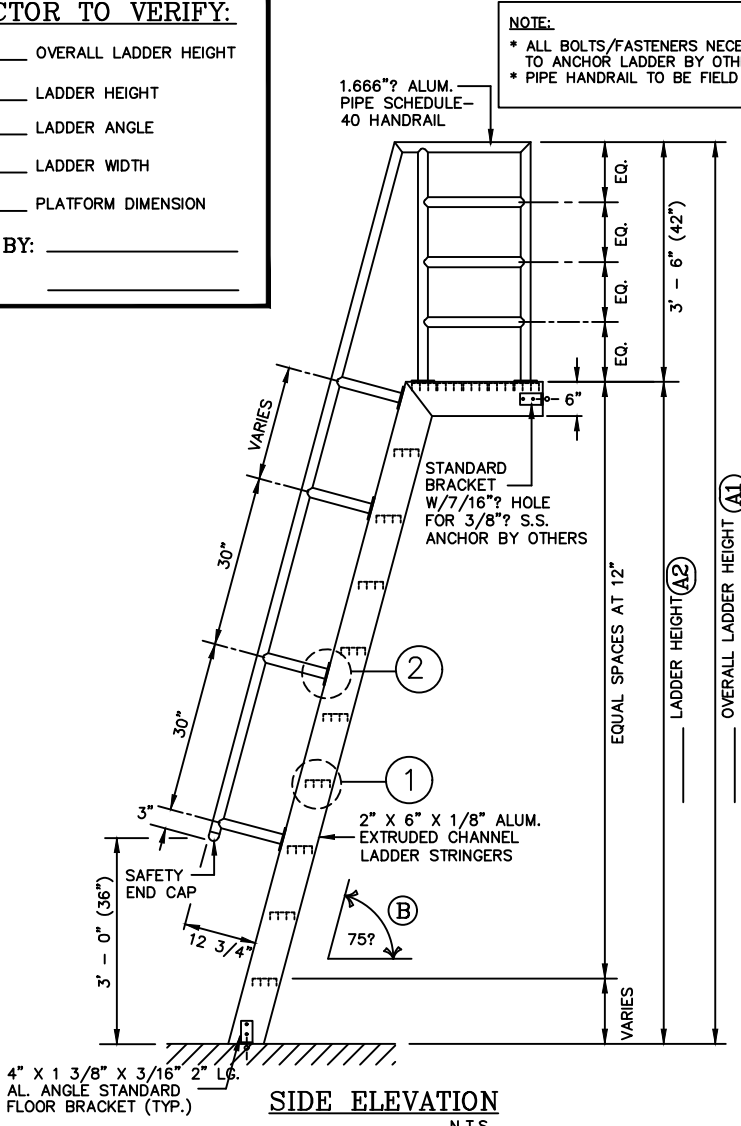


1.666" ALUM. PIPE SCHEDULE-40 HANDRAIL

2" X 6" X 1/8" ALUM. EXTRUDED CHANNEL LADDER STRINGERS

4" X 1 1/4" ALUM. SERRATED TREAD

SAFETY END CAP



**O'KEEFFE'S, INC.**

100 N HILL DR, STE 12 TEL: (888) 653-3333  
BRISBANE, CA 94005 FAX: (888) 653-4444 www.okeeffes.com

**ALUMINUM SHIPS LADDER WITH PLATFORM  
MODEL 521 WITH 75° ANGLE**

- \_\_\_\_\_ QUANTITY
- MILL FINISH
  - BRONZE ANODIZED
  - POWDER COATING
  - CLEAR ANODIZED

**SALE NO.** \_\_\_\_\_

**DRAWN :** \_\_\_\_\_

**DATE :** \_\_\_\_\_

**SHEET : \_\_\_\_\_ OF \_\_\_\_\_**